

# S5™ SUCTION SIDE POOL CLEANER

**INSTALLATION GUIDE / INSTALLATIEHANDLEIDING  
BEDIENUNGSANLEITUNG / GUIDE DE L'INSTALLATION  
GUIA DE INSTALACION / GUIDE ALL'INSTALLAZIONE**



## Customer Support

Website : [www.astralpool.com](http://www.astralpool.com)

E-mail : [info@astralpool.com](mailto:info@astralpool.com)

### Declaration of conformity

We declare, under our sole responsibility, that the product identified in this declaration, and to which this declaration relates, are in conformity with the protection requirements of Council Directive 2006/42/EEG



The manufacturer, Fluidra, has the right to modify the products without previous notice for as far as the characteristics are not really changed by this.

© 2015 Fluidra S.A. All rights reserved. This document is subject to change without notice.

Trademarks and disclaimers: All AstralPool trademarks and logos are owned by Fluidra S.A. S5™ and AstralPool® are trademarks of Fluidra S.A. and/or its affiliated companies in Spain and/or other countries. Unless expressly noted, names and brands of third parties that may be used in this document are not used to indicate an affiliation or endorsement between the owners of these names and brands and Fluidra S.A. Those names and brands may be the trademarks or registered trademarks of those third parties.

**⚠ DANGER** Failure to follow the instructions in this manual may result in serious adverse health effects, or even serious or fatal injury. Failure to follow the instructions in this manual will in all cases invalidate all guarantees and liability on the part of the manufacturer. **INSTALLERS, OPERATORS AND OWNERS MUST READ THESE WARNINGS AND ALL INSTRUCTIONS IN THE OWNER'S MANUAL BEFORE USING THIS CLEANER. THESE WARNINGS AND THE OWNER'S MANUAL MUST BE LEFT WITH THE HOME OWNER.**

## IMPORTANT WARNING AND SAFETY INSTRUCTIONS



### Important Notice:

**⚠ WARNING** Attention Installer: This guide contains important information about the installation, operation and safe use of this product. This information should be given to the owner and/or operator of this equipment after installation of the pool cleaner.

Attention User: This manual contains important information that will help you in operating and maintaining this pool cleaner. Please retain it for future reference. Consult AstralPool with any questions regarding this equipment.

Before installing this product, read and follow all warning notices and instructions which are included. Failure to follow safety warnings and instructions can result in severe injury, death, or property damage. Visit [www.astralpool.com](http://www.astralpool.com) for additional free copies of these instructions.

### Consumer Information and Safety

This pool cleaner is designed and manufactured to provide many years of safe and reliable service when installed, operated and maintained according to the information in this manual. Throughout the manual, safety warnings and cautions are identified by the “⚠” symbol. Be sure to read and comply with all of the warnings and cautions.

**⚠ WARNING** Stop pump before attempting to clean unit. Do not allow swimmers in the pool while pool cleaner is operating. Hose can trip or entangle swimmers which could result in drowning.

**⚠ CAUTION** Moving parts may injure hands or fingers. Stop pump before attempting to clean out pool cleaner.

## General Installation Information

### Pre-Installation Check List

Before installing your cleaner, review and understand all warnings and safety information in this guide. Failure to follow these instructions or improper installation of the cleaner can result in damage to the pool finish or the vinyl liner, Most cleaners are not designed to traverse from floor to wall when the pool cove is 90%. There may be other structures installed in the pool that the cleaner cannot navigate, BE AWARE and supervise the cleaner during unique conditions. Fluidra S.A./AstralPool disclaims any liability for repairs or replacement to any of these structures or components of the customer's pool.

#### Before installing the cleaner in a vinyl liner pool:

Check liner closely for signs of deterioration or damage from age, chemicals, pool wall damage, etc. If any damage is found, have a qualified pool professional make all the necessary repairs. Also, if there are stones, roots, etc., under the liner, remove them before installing the cleaner.

#### Before installing the cleaner in a gunite pool or a pool that is partially or completely tiled:

Make sure pool finish is in proper condition as staining, etching, cracking or delaminating may worsen. Repair loose tiles and tighten any loose light rings.

#### Before installing the cleaner, clean your filter system:

Make sure you have cleaned the filter, including backwashing, rinsing, and emptying all baskets. A clean system is necessary for proper cleaner operation and coverage.

#### Before installing the cleaner, understand cleaner coverage:

The cleaner is designed to rid your pool of debris in approximately 4-6 hours. Less time could be needed, depending on the pool size. The cleaner was not designed to automatically clean steps or swimouts, or to work under a solar cover. The cleaner may get stuck in these areas which can result in damage to the pool finish or vinyl liner. Fluidra S.A./AstralPool disclaims any liability for repairs or replacement to any of these structures or components of the consumer's pool. It was also not designed to do initial cleanup for a new pool or when opening your pool for the season.

#### AFTER installing the cleaner, make sure the cleaner is operating correctly:

The cleaner may need some minor adjustments to make sure it is operating properly so there is no damage to the pool finish. Certain vinyl liner patterns are particularly susceptible to surface wear, pattern removal, ink rubbing off of, or serious scratches to the pattern caused by objects coming into contact with the vinyl surface, including automatic pool cleaners. Fluidra S.A./AstralPool is not responsible for any pattern removal, abrasions or markings on vinyl liners. Periodically inspect the cleaner components and the cleaner performance to ensure it is operating as designed. Replace and/or repair any worn or damages components. Failure to follow instructions or improper installation of the cleaner may result in damage to the cleaner, pool finish or the vinyl liner.

### Limited Warranty Terms & Conditions

Before installing your cleaner, review and understand all warnings, safety and warranty information in this guide. Failure to follow these instructions or improper installation of the cleaner can result in damage to the pool finish or the vinyl liner, Fluidra S.A./AstralPool disclaims any liability for repairs or replacement to any of these structures or components of the customer's pool.

Limited Warranty : 2 years

Further details : [www.astralpool.com](http://www.astralpool.com)

### Disclaimer of Liability - About your Pool and Pool Cleaner

There are a multitude of factors that contribute to the life of your pool. The pool cleaner is a very passive product that will have no impact on pool life.

Please be aware that over time, deterioration, discoloration and brittleness of any pool finish can be caused separately by, or in combination with, age, an imbalance in pool water chemistry, improper installation and other factors. Suction side pool cleaners will not remove or cause wear on "good" pool plaster. In fact, the opposite is true—pool plaster will eventually cause wear on the cleaner.

The same situation holds true for vinyl-lined in-ground swimming pools, because vinyl liners are also affected by the environment and factors such as pool water chemistry, sunlight and the pool's surroundings. Therefore over time, vinyl can become brittle and weak. In addition, vinyl-lined pools are affected by the workmanship, composition and installation of the liner and the workmanship and quality of construction of the supporting walls and pool base. These are all factors which can contribute to liner failure. The existence of any of these type of conditions in your pool is not caused by the use or operation of the pool cleaner. The manufacturer disclaims any liability for repairs or replacement to any of these structures or components of the customer's pool.

The pool owner must assume all responsibility for the condition and maintenance of the pool's surface, water and deck.

Before the cleaner is installed, please take a moment to record the serial number. You will be asked for this number when you contact our Technical Support Department.

SERIAL # \_\_\_\_\_

## Pool Preparation

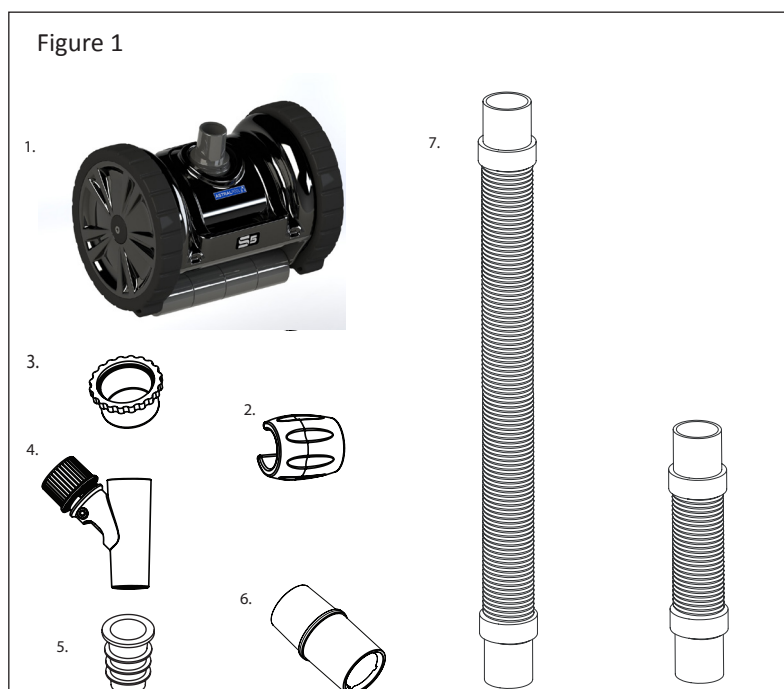
Before installing the S5™ Suction Side Pool Cleaner, your pool should be clean and algae-free so as to not inhibit the cleaner's traction. If necessary, make the following preparations before proceeding:

1. Chemically balance the pool water.
2. Brush pool and let the debris settle.
3. Hand vacuum thoroughly.
4. Clean filter and pump strainer basket.

## Cleaner Components

Remove the cleaner and all parts from the box. Check to be sure all components are included.

1. S5 cleaner body
2. Hose float
3. Valve cap
4. Regulator valve
5. Conical Adaptor
6. Flow gauge
7. Hose Set – 11 Sections
  - 10 Standard Male/Female Hoses of 1m
  - 1 Leader Hose



## ASSEMBLING THE CLEANER

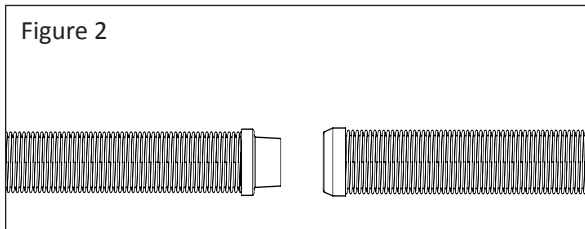
The S5™ Suction Side Pool Cleaner body is shipped as one piece, making cleaner assembly a simple and quick process.

### Hose Assembly

For best results and to maintain proper operation, use only original parts and hoses.

1. To connect the hose sections, wet the ends in the pool water, then twist and push the female ends onto the male ends.

Figure 2



2. Connect the leader hose to the cleaner swivel. See **Figure 3**.
3. The hose should reach from where the cleaner is connected to the farthest point of the pool, plus one section and the leader hose.
4. Install the hose float onto the second length of hose. The float should be placed 50.8 centimeters (20 inches) above the cleaner. See **Figure 4**.
5. Make sure that all connections are snug.
6. The overall length of hose needed will be determined by the distance from the point at which you attach the hose to the suction port to the furthest point in the pool, plus one length and the leader hose. Refer to **Figure 5**.

Figure 3

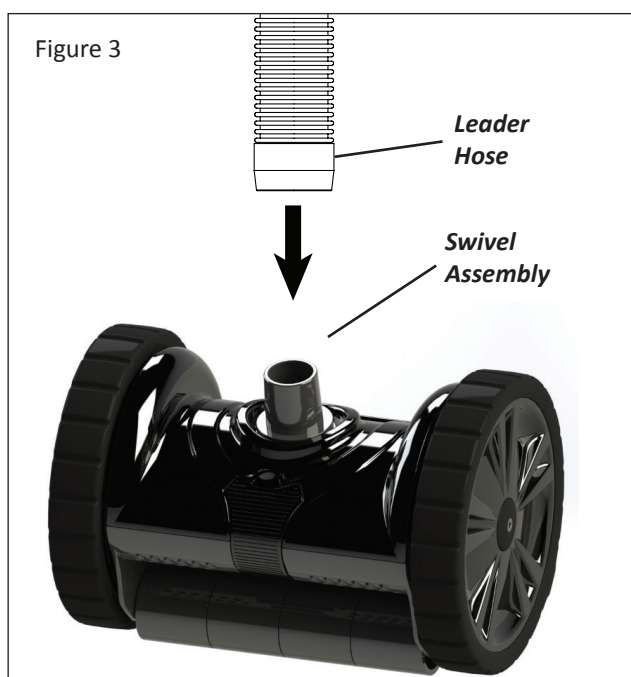


Figure 4

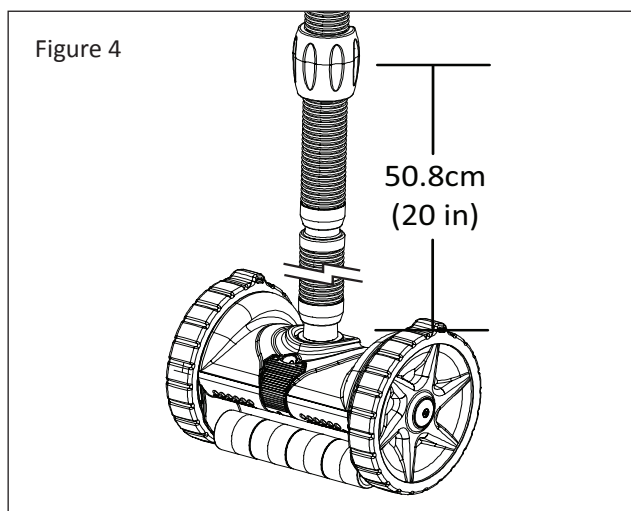
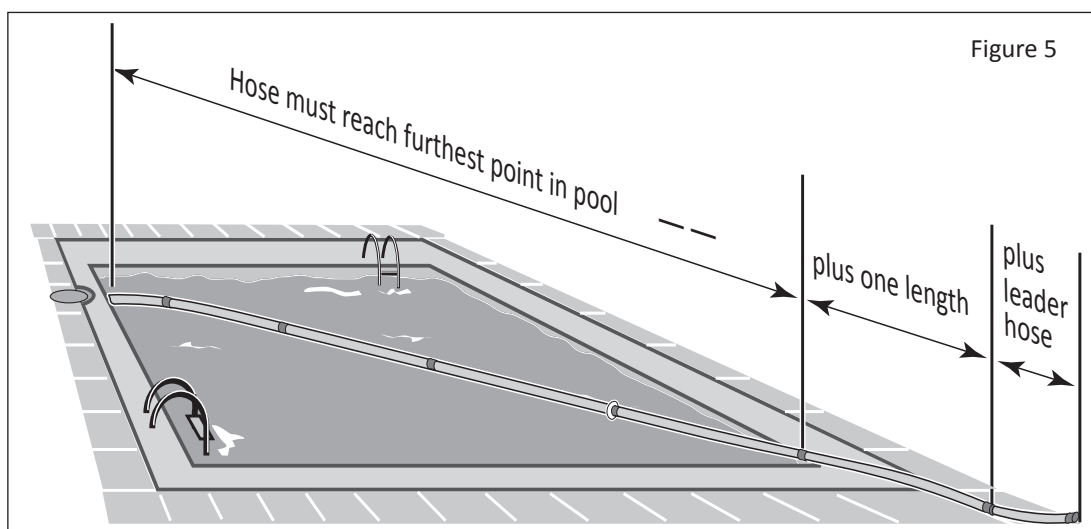


Figure 5



## INSTALLING THE CLEANER

### Standard Installation

The S5™ Suction Side Pool Cleaner is designed to work in a wide variety of swimming pools. Both the standard in-skimmer installation and optional vacuum line installation are covered in this section. Check to see which most closely fits your pool configuration and follow the directions.

**Note:** Depending on the particular features of your pool, the valve cap for the regulator valve may not be needed.

1. Turn the pool pump off.
2. Close the main drain and all suction lines, except the line from the skimmer to which the cleaner will be connected.
3. Remove skimmer basket.
4. Insert the cone adapter into the vacuum connection in the bottom of the skimmer. See **Figure 7**.
5. Press the regulator valve into the conical adapter. The valve's adjustment knob should be pointing up.
6. Place cleaner into the pool. Turn it side to side and front to back to release any trapped air, allowing the cleaner to sink to the floor of the pool. Continue to feed the hose vertically down into the pool until it is completely filled with water and purged of air.

**Note:** If air is pulled into the pool plumbing it may cause your pump to lose prime.

8. Insert the end of the hose through the skimmer opening and connect the hose directly onto the regulator valve. See **Figure 7**

Figure 6

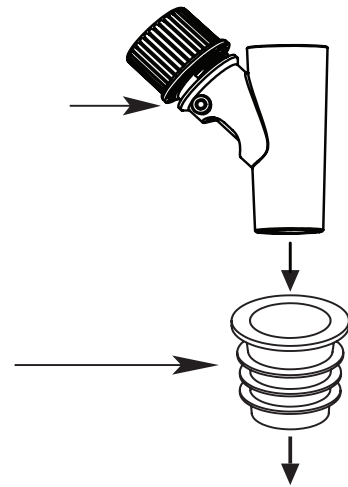
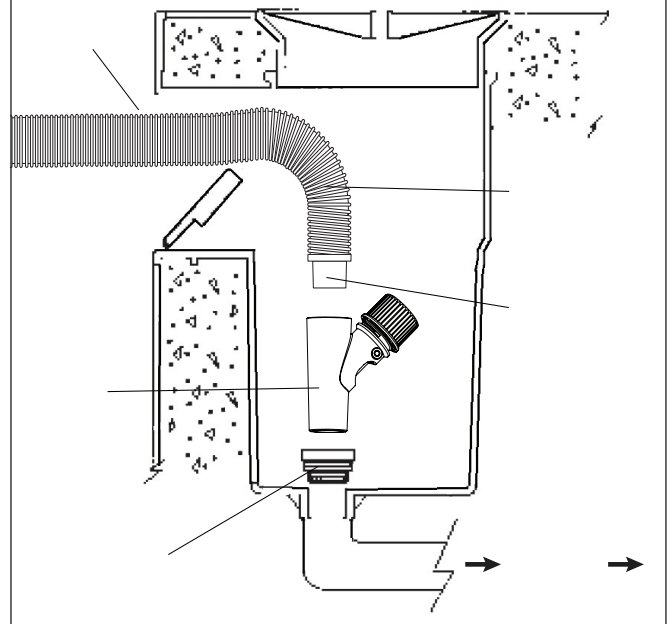


Figure 7



## Optional Vacuum Line Installation

### Vacuum Line Installation with Regulator Valve in Skimmer.

We highly recommend the use of the regulator valve to balance water flow between the S5™ Suction Side Pool Cleaner and the skimmer. Install the regulator valve in the skimmer when attaching the cleaner to a dedicated vacuum line.

1. Turn the pool pump off.
2. Close the main drain and all suction lines, except the lines from the skimmer and the suction line to which the cleaner will be connected.
3. Thread the snap-lock wall fitting into the end of the dedicated suction line (optional - if not yet installed)

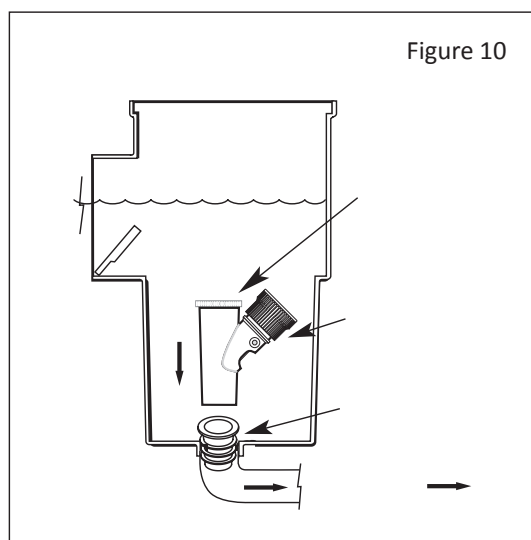
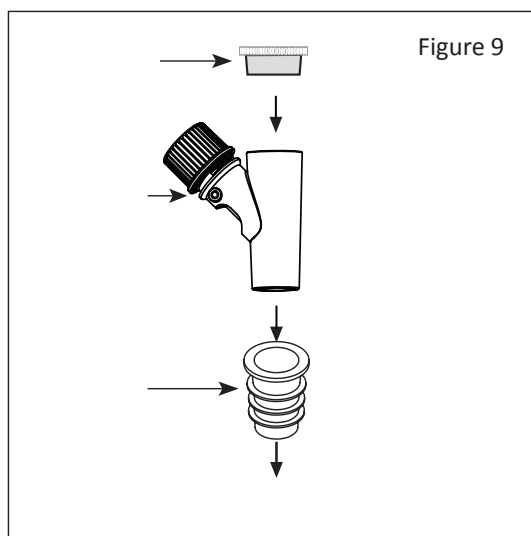
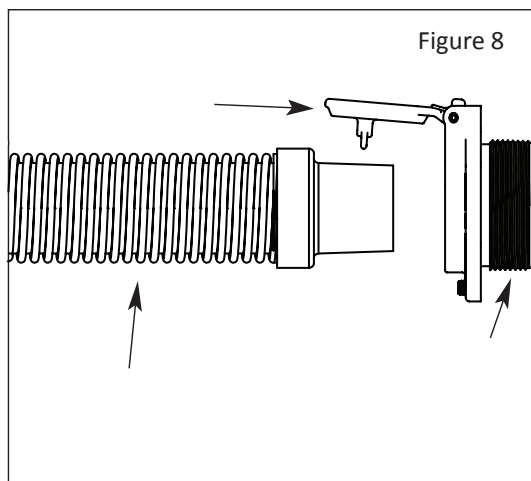
**Note:** Use two wraps of thread seal tape around the threads to ensure easy removal.

4. Place the cleaner (with the hose attached) into the pool. Turn it side to side and front to back to release any trapped air, allowing the cleaner to sink to the floor of the pool. Continue to feed the hose vertically down into the pool until it is completely filled with water and purged of air.

**Note:** If air is pulled into the pool plumbing it may cause your pump to lose prime.

5. Insert the male hose end of the last hose section directly into the snap-lock wall fitting. See **Figure 8**.
6. Insert the cone adapter into the vacuum connection in the bottom of the skimmer.
7. To prevent water from flowing through the top of the regulator valve, fasten the valve cap onto the top of the valve (See **Figure 9**). This activates the regulator valve and assures that an accurate amount of water ( $6\text{m}^3/\text{h}$ ) will flow through the vacuum line and the cleaner. Without the valve cap, the regulator valve and the cleaner will not function properly. See **Figure 10**.
8. Press the regulator valve into the compression adapter.

After completing the installation, turn the pool pump on. Allow the pump to run for a couple of minutes to be sure all air cycles out of the system.



## Adjusting Flow to the Cleaner With the Flow Gauge

1. Turn the pool pump off.
2. Disconnect the S5™ Suction Side Cleaner from the leader hose and connect the flow gauge.
 

**Note:** Make sure the hose remains submerged to prevent suction of air.
3. Turn the pump on.
4. Turn the regulator valve adjustment knob clockwise to increase flow or counterclockwise to decrease flow, until the disc indicator in the flow gauge settles between “Maximum” and “Minimum” flow. See **Figure 11**.
5. Turn the pool pump off and remove the flow gauge and reconnect the cleaner.
6. Lower the cleaner in to the pool and allow it to drop to the pool floor.
7. Turn the pool pump on.

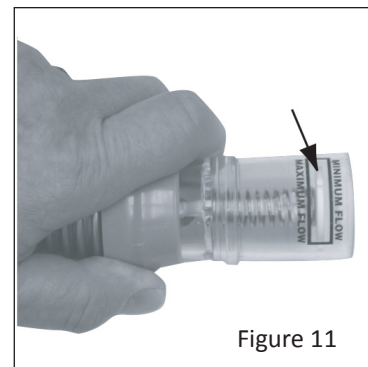


Figure 11

## Calculating Cleaner Speed (Rotations Per Minute - RPM) Without the Flow Gauge

If you do not have the flow gauge originally included with your cleaner, following the steps below will allow you to calculate the cleaner speed and adjust RPM as needed.

1. While the cleaner is running, bring the cleaner up to just beneath the pool's water surface.
 

**Note:** Be sure to keep the cleaner submerged while the pump is operating. This prevents the cleaner from pulling air into the pool system.
2. Count the number of full rotations made by the wheel over a period of one minute. The number of rotations will give you the revolutions per minute; or RPM's. An easy way to be sure you are counting full rotations is by counting the number of times the wheel hump passes by the swivel assembly.
3. For proper performance, the S5™ cleaner operates between 11-13 RPM.
 

If the RPM is below 11 adjust the regulator valve (rotate adjustment knob clockwise) and repeat steps 1-2 until the RPM falls back into the optimal range.

If the RPM is higher than 13 adjust the regulator valve (rotate adjustment knob counterclockwise) and repeat steps 1-2 until the RPM falls back into the optimal range.

## CLEANER ADJUSTMENTS AND OPERATION

After installation, turn the pool pump on. The S5™ Suction Side Pool Cleaner should be moving about the pool at a rate of 2.5 to 3.6 meter per minute. Be sure to check each of the following initial adjustments.

### Hose Length

**Note:** The pump must be on when you check the hose length. The hose contracts when the pump is operating and will be longer when the pump is off.

While the cleaner is operating:

1. Position cleaner at the furthest point of the pool from where it's attached. Use a pool pole and brush to easily position the cleaner in the pool.
2. The hose should be long enough to reach the end of the pool, plus one hose section and the leader hose. See **Figure 12**.
3. Remove any excess hose lengths from the middle of the hose assembly. This will ensure you do not alter the position of the hose float.
4. Save extra hose sections for use as needed for replacement.

**Note:** Turn pool pump off when adding or removing hose sections.

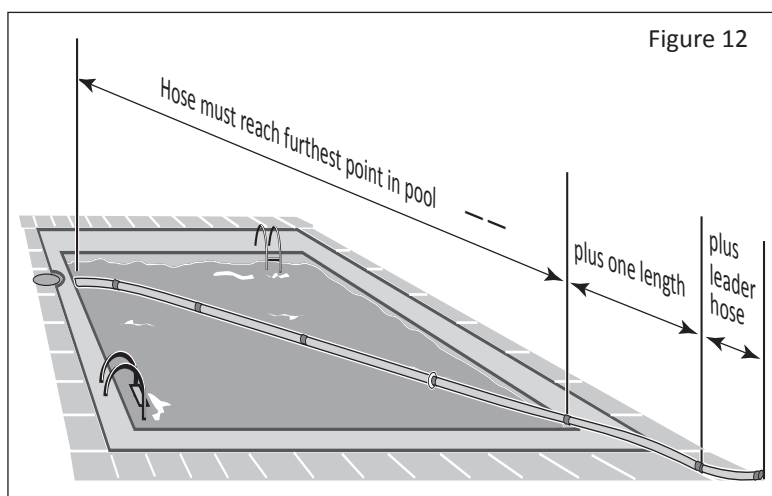


Figure 12



## Return Line Water Flow

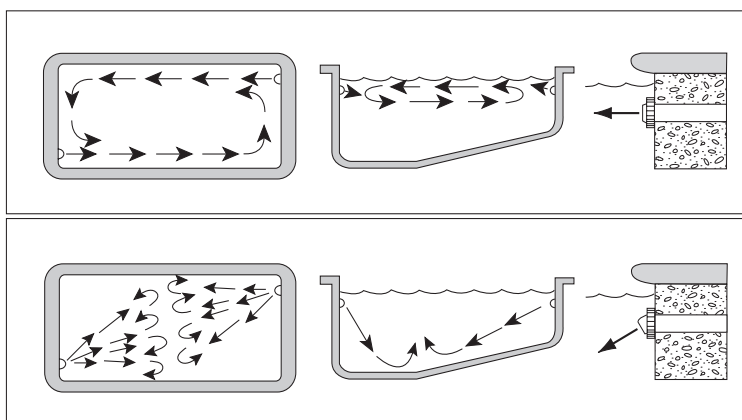
**IMPORTANT:** The water flow from your return line can push the S5™ Suction Side Pool Cleaner's hose and affect its performance. It may cause the cleaner to steer away from the end of the pool where the return line is located, or it may cause your cleaner to remain in one section of the pool. To correct this, use an eyeball diverter.

## Eyeball Diverter Positions

Position the diverter opening to redirect the return line water flow so it does not interfere with the cleaner's movement. Try different positions to see which works best in your pool:

- flow directed along the side of pool (the tile line).
- flow directed downward.
- flow directed against the hose will help steer the cleaner away from obstructions such as stairs and ladders.

After installing the eyeball diverter, turn the pool pump on. The cleaner should begin moving across the pool floor vacuuming up debris in its path.



## MAINTENANCE

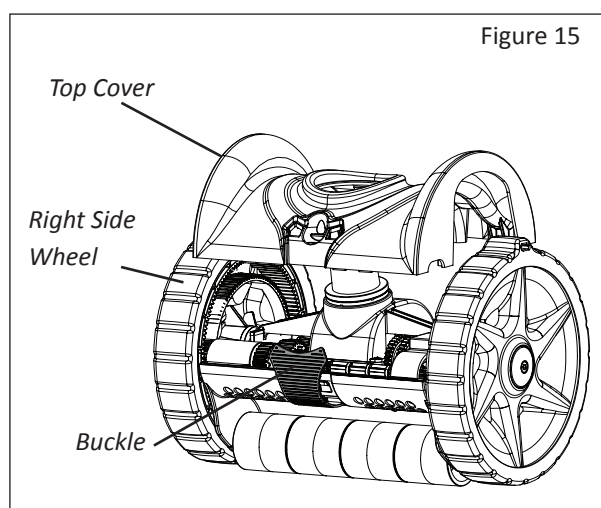
The S5™ Suction Side Pool Cleaner requires almost no maintenance. Visually inspect your cleaner from time to time to make sure that:

- The turbine is moving freely and is not obstructed by debris. See "Removing Debris from the Turbine" below.
- The tires are not excessively worn. See **Figure 18** on the next page.

We recommend that you leave the cleaner in your pool, except during chemical shock treatments.

- During swimming it is easy to unplug the cleaner and pull it to one side.
- **Note:** When storing the cleaner, do not coil the hose. Lay the hose flat in an area protected from direct sunlight.

This cleaner's hose is specially designed to ensure optimum cleaner performance. Should replacement be required, insist on genuine Pentair cleaner hose.



Removal of Top Cover

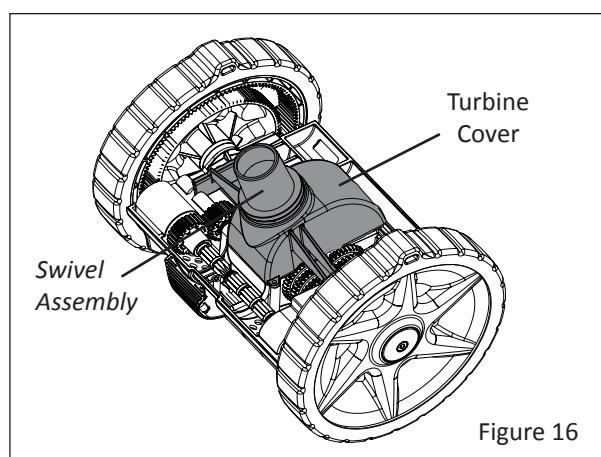
## Removing Debris from the Turbine

1. Be sure the pool pump is off. Remove the cleaner from the pool and disconnect the cleaner from the leader hose.
2. Check to see if anything is clogged inside the cleaner. Do this by positioning the cleaner with the buckle facing you and attempt to rotate the right side wheel forward. If the wheel rotates smoothly there probably is no obstruction. If it won't rotate there is an obstruction.
3. Place the cleaner on a flat work surface. Open the buckle on the front of the cleaner by pulling it out and down.

Lift the front of the top cover up and then firmly pull it forward. This will separate the top cover from the cleaner body and you will now be able to lift the top cover straight up from the cleaner body (see **Figure 15**). Set the cover aside.

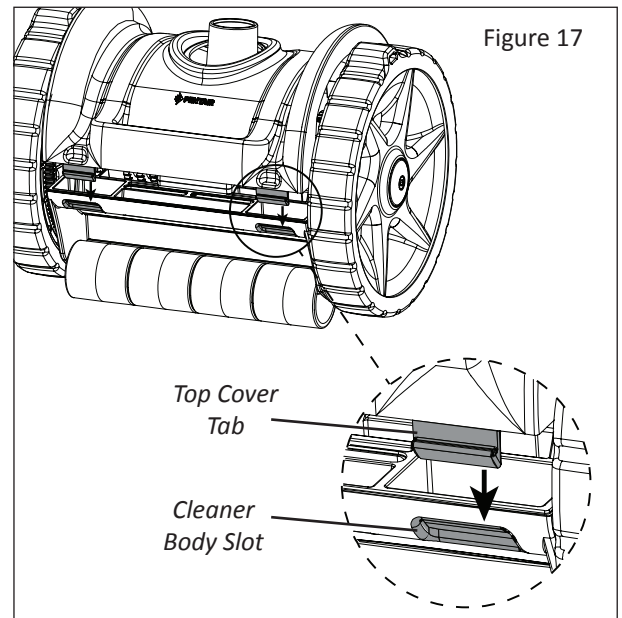
**Note:** The top cover is designed to fit tightly so you may have to wiggle it a little.

4. Pull the turbine cover straight up and off of the cleaner body. Set the turbine cover aside. See **Figure 16**.



Swivel Assembly and Cleaner Internals

5. Remove any visible obstructions from the turbine and turbine cover.
6. Replace the turbine cover with the swivel assembly oriented towards the front of the cleaner. See **Figure 16**.
7. Visually inspect the rest of the cleaner and remove any debris that may be in the gears, drive shafts, swivel assembly, etc.
8. Repeat **step 2 (turning the right wheel)** to insure that the cleaner runs smoothly.
9. Place the top cover over the swivel assembly.
10. Place the tabs on the back side of the top cover into the slots on the back side of the cleaner body (see **Figure 17**). Once these tabs are seated in the slots the front of the cover will fall into place.
11. Lock the top cover onto the cleaner body with the locking buckle on the front of the cleaner.



Cover Tabs and Corresponding Body Slots

## Tire Replacement

After prolonged use it may become necessary to replace the S5™ Suction Side Pool Cleaner's rubber tires. When the tire surface has worn into the tire's grooves the tire is in need of replacement. See **Figure 18**.

### To remove the cleaner tire:

1. Turn the pool pump off and remove the cleaner from the pool.
2. Disconnect the cleaner from the leader hose.
3. Place the cleaner on a flat work surface and fold the tire off of the wheel from top to bottom.

**Note:** Remove the tire by hand. Using other objects (screwdrivers, Allen keys, etc.) to remove the tire may damage the wheel.

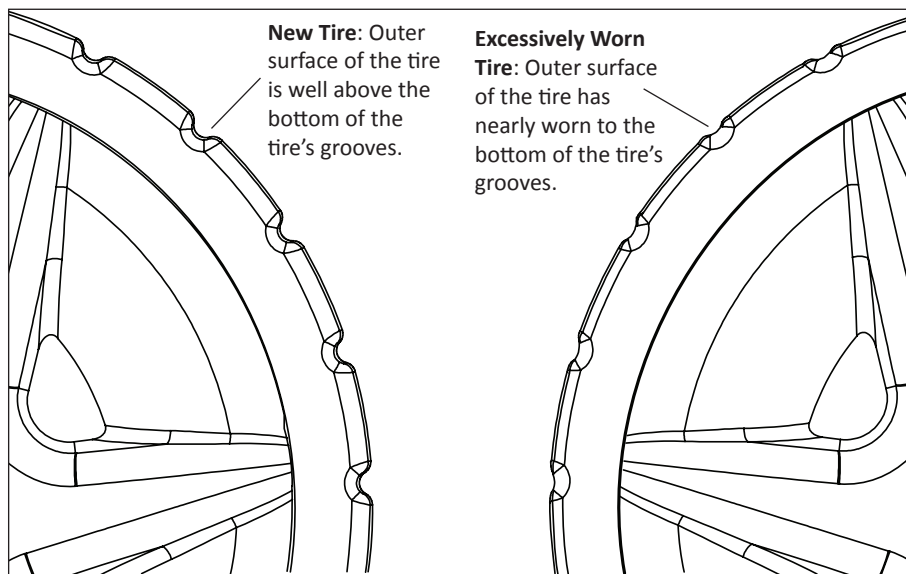


Figure 18: Tire Wear Comparison

### To install the replacement tire:

1. Place the cleaner on a flat work surface and seat the top of the rubber tire onto the top of the wheel. Be sure that the back lip of the tire is resting flat on the inside edge of the wheel.  
**Note:** Replace the tire by hand. Using other objects (screwdrivers, Allen keys, etc.) to replace the tire may damage the wheel.
2. Stretch the bottom of the tire over the bottom of the wheel. Be sure that the back lip of the tire is resting flat on the inside edge of the wheel.
3. Fold the back lip of the tire onto the back of the cleaner wheel along the entire cleaner wheel. The tire should lie flat on the top surface of the wheel.

## TROUBLESHOOTING

Because of the individual characteristics of your pool, some additional adjustments may be required to get the best performance from your S5™ Suction Side Pool Cleaner. Use the following information to resolve possible issues.

| PROBLEM   | CORRECTIVE ACTION   |
|---|---|
| Cleaner is not moving or is moving too slowly.            | <p>Check flow with flow gauge included or by calculating the cleaner RPM and adjust the flow if necessary using the regulator valve.</p> <p>Check for debris inside the cleaner itself.</p> <p>Check to be sure the pump has primed. Check for leaks in the system that may prevent proper priming.</p> <p>There may not be enough flow through the system. The filter may need backwashing.</p> <p>Check to be sure that the main drain and all suction lines are closed, except for the suction line to which the cleaner is attached.</p> <p>Check for obstructions in the system (e.g. debris in the filter, pump basket or pump impeller).</p> <p>Pool pump and filter system may be too small to provide proper water flow. Consult your pool professional.</p> |
| Cleaner's right wheel will not turn when rotated by hand. | Check for obstructions inside the cleaner itself.   |
| Cleaner stays in one end of the pool.                     | <p>Check flow with flow gauge included or by calculating the cleaner RPM and adjust the flow if necessary using the regulator valve.</p> <p>Check the return line water flow and redirect as necessary with the included eyeball diverter.</p> <p>Check that hose is long enough to reach the furthest point in the pool.</p> <p>Check for proper hose float placement. The float may be in the wrong position.</p> <p>Be sure that the swivel assembly (at top of cleaner) rotates smoothly. If not, the swivel assembly may be dirty and require cleaning.</p>  |
| Cleaner climbs the wall too much or climbs out of pool.   | Check flow with flow gauge included or by calculating the cleaner RPM and adjust the flow if necessary using the regulator valve.   |
| Cleaner won't climb the pool walls.                       | <p>Check to be sure that the cleaner tires are not excessively worn. Excessively worn tires will not provide the grip necessary for your cleaner to climb pool walls.</p> <p>Check flow with flow gauge included or by calculating the cleaner RPM and adjust the flow if necessary using the regulator valve.</p> <p>Check to be sure that the leader hose has been installed and is in the correct location.</p> <p>Check for proper hose float placement. The float may be in the wrong position.</p>  |
| Cleaner stays on the main drain.                          | <p>Check to be sure that main drain is closed. May need assistance from a pool professional.</p> <p>Check to be sure a main drain grate is installed.</p>   |
| Cleaner falls on its side and takes too long to recover.  | <p>Check for proper hose float placement. The float may be in the wrong position.</p> <p>Check to be sure that the leader hose has been installed and is in the correct location.</p> <p>Check that the hose is long enough to reach the furthest point in the pool.</p> <p>The return eyeball fittings may be pushing the cleaner hoses away.</p>  |

**LIMITED WARRANTY : 2 YEARS**  
**FURTHER DETAILS : [www.astralpool.com](http://www.astralpool.com)**

## Kundendienst

Website : [www.astralpool.com](http://www.astralpool.com)  
E-Mail: [info@astralpool.com](mailto:info@astralpool.com)

## Konformitätserklärung

Wir erklären unter unserer alleinigen Verantwortung, dass das Produkt, das in dieser Erklärung bezeichnet ist und auf das sich diese Erklärung bezieht, den Schutzanforderungen der Richtlinie 2006/42/EG des Rates entspricht.



Der Hersteller Fluidra behält sich das Recht vor, Produkte ohne vorherige Ankündigung soweit zu ändern, als deren Merkmale dadurch nicht maßgeblich verändert werden.

© 2015 Fluidra S.A. Alle Rechte vorbehalten. Änderungen an diesem Dokument sind vorbehalten.

Alle AstralPool-Warenzeichen und -Logos sind Eigentum von Fluidra S.A. S5™ und AstralPool® sind Warenzeichen von Fluidra S.A. und/oder ihren verbundenen Unternehmen in Spanien und/oder anderen Ländern. Soweit nicht anders angegeben, dienen eventuell in diesem Dokument benutzte Namen und Marken anderer Unternehmen nicht zur Angabe einer Zugehörigkeit oder sonstigen Verbindung zwischen den Eigentümern dieser Namen und Marken und Fluidra S.A. Bei diesen Namen und Marken kann es sich um Warenzeichen oder eingetragene Warenzeichen dieser anderen Unternehmen handeln.

**⚠ GEFAHR** Die Nichtbeachtung der Sicherheitsanweisungen kann zu ernststen Gesundheitsschäden oder sogar zu schweren oder tödlichen Verletzungen führen. Die Nichtbeachtung der Anweisungen in diesem Handbuch führt in jedem Fall zum Erlöschen aller Garantien und jeglicher Haftung seitens des Herstellers. MONTEURE, SCHWIMMBADBETREIBER UND -BESITZER MÜSSEN DIESE WARNHINWEISE UND ALLE ANWEISUNGEN IM HANDBUCH LESEN, BEVOR SIE DIESEN REINIGER BENUTZEN. DIESE WARNHINWEISE UND DAS HANDBUCH MÜSSEN BEIM HAUSBESITZER VERBLEIBEN.

## WICHTIGE WARNHINWEISE UND SICHERHEITSAUFEISUNGEN



### Wichtiger Hinweis:

**⚠ ACHTUNG** Achtung Installateur: Diese Anleitung enthält wichtige Informationen zur Montage, zum Betrieb und zur sicheren Benutzung dieses Produkts. Diese Unterlagen müssen nach der Installation des Poolreinigers an den Besitzer und/oder den Betreiber dieses Geräts weitergegeben werden.

Achtung Benutzer: Dieses Handbuch enthält wichtige Informationen für den Betrieb und die Wartung dieses Poolreinigers. Bitte bewahren Sie es für zukünftige Einsichtnahme auf. Wenden Sie sich an AstralPool, wenn Sie Fragen zu diesem Gerät haben.

Lesen und befolgen Sie alle in diesem Handbuch enthaltenen Warnhinweise und Anweisungen, bevor Sie das Produkt installieren. Bei Nichtbefolgung der Sicherheitswarnhinweise und -anweisungen kann es zu schweren Verletzungen, zum Tod oder zu Sachschäden kommen. Zusätzliche kostenlose Versionen dieser Anweisungen erhalten Sie unter [www.astralpool.com](http://www.astralpool.com).

### Konsumenteninformation und Sicherheit

Dieser Poolreiniger wurde so entworfen und hergestellt, dass er viele Jahre sicher und zuverlässig in Betrieb ist, wenn er gemäß den Anweisungen in diesem Handbuch installiert, betrieben und gewartet wird. Im gesamten Handbuch sind Sicherheitswarnungen und -hinweise durch das Symbol "⚠" gekennzeichnet. Alle diese Warnungen und Hinweise müssen beachtet und eingehalten werden.

**⚠ ACHTUNG** Stoppen Sie die Pumpe, bevor das Gerät gereinigt wird. Während der Poolsauger in Betrieb ist, darf der Pool nicht von Schwimmern benutzt werden. Der Schlauch kann Schwimmer behindern oder umschlingen, was zu Ertrinken führen könnte.

**⚠ VORSICHT** Durch bewegliche Teile können Hände oder Finger verletzt werden. Stoppen Sie die Pumpe, bevor Sie versuchen, den Poolreiniger zu säubern.

## Allgemeine Informationen zur Montage

### Checkliste vor der Installation

Bevor Sie Ihren Poolsauger installieren, lesen Sie bitte alle Warnhinweise und Sicherheitsanweisungen in diesem Handbuch aufmerksam durch. Wenn diese Anweisungen nicht befolgt werden oder der Poolsauger nicht ordnungsgemäß installiert wird, kann das zu einer Beschädigung der Pool-Oberfläche oder der Vinylverkleidung führen. Die meisten Poolsauger sind nicht dafür ausgelegt, vom Boden auf die Wand zu wechseln, wenn die Poolwölbung 90 % beträgt. Im Pool können sich auch andere Strukturen befinden, die der Poolsauger nicht bewältigen kann. SEIEN SIE VORSICHTIG und überwachen Sie den Poolsauger unter besonderen Bedingungen. Fluidra S.A./AstralPool lehnt jede Haftung für Reparaturen oder Ersatz solcher Strukturen oder Bauteile im Pool des Kunden ab.

#### Vor der Installation des Poolsaugers in einem Pool mit Vinylverkleidung:

Überprüfen Sie die Verkleidung sorgfältig auf Zeichen von Verschleiß, Beschädigungen aufgrund von Alterung, Beschädigung der Poolwand usw. Bei einer etwaigen Beschädigung ist ein qualifizierter Poolspezialist mit der Durchführung der notwendigen Reparaturen zu betrauen. Auch sämtliche Steine, Wurzeln usw., die sich eventuell unter der Verkleidung befinden, müssen vor der Installation des Poolsaugers entfernt werden.

#### Vor der Installation des Poolsaugers in einem Spritzbeton-Pool bzw. eines teilweise oder vollständig verfliesten Pool:

Vergewissern Sie sich, dass sich die Oberfläche des Pools in einem guten Zustand befindet, da sich Verschmutzung, Verätzungen, Sprünge oder Delaminierungen verschlechtern könnten.

Reparieren Sie lose Fliesen und befestigen Sie etwaige lose Lichtringe.

#### Säubern Sie Ihr Filtersystem, bevor Sie den Poolsauger installieren:

Sorgen Sie dafür, dass Sie den Filter gereinigt haben, einschließlich Rückspülung, Spülen und Leeren aller Körbe. Ein sauberes System ist die Voraussetzung für den ordnungsgemäßen Betrieb und die Leistung des Poolsaugers.

#### Beachten Sie die Leistungsdaten des Poolsaugers, bevor Sie ihn installieren:

Der Poolsauger ist so ausgelegt, dass Ihr Pool in ca. 4 bis 6 Stunden schmutzfrei ist. In Abhängigkeit von der Poolgröße ist gegebenenfalls weniger Zeit erforderlich. Der Poolsauger wurde nicht für die automatische Reinigung von Treppen oder Leitern oder den Betrieb unter einem Sonnenschutz konzipiert. In solchen Bereichen kann der Poolsauger stecken bleiben, was zu einer Beschädigung der Pool-Oberfläche bzw. der Vinylverkleidung führen kann. Fluidra S.A./AstralPool lehnt jede Haftung für Reparaturen oder Ersatz solcher Strukturen oder Bauteile im Pool des Kunden ab. Auch wurde er nicht für die Erstreinigung eines neuen Pools oder eines Pools zu Saisonbeginn konstruiert.

#### Kontrollieren Sie NACH der Montage des Geräts die richtige Funktion des Poolsaugers:

Gegebenenfalls müssen ein paar kleinere Anpassungen vorgenommen werden, um die ordnungsgemäße Funktion zu gewährleisten und die Oberfläche des Pools nicht zu beschädigen. Bestimmte Strukturen von Vinylverkleidungen sind besonders anfällig gegenüber Oberflächenverschleiß, Strukturabtrag, Farbabrieb oder schwere Kratzer an der Struktur, wenn Gegenstände wie auch automatische Poolreiniger mit der Vinyloberfläche in Kontakt kommen. Fluidra S.A./AstralPool übernimmt keine Verantwortung für Strukturabtrag, Abrieb oder Spuren auf Vinylverkleidungen. Überprüfen Sie regelmäßig die Bauteile und die Leistung des Poolsaugers, um sicherzustellen, dass er wie vorgesehen funktioniert. Sämtliche verschlissenen oder beschädigten Teile müssen ersetzt und/oder repariert werden. Wenn die Anweisungen nicht befolgt werden oder der Poolsauger nicht ordnungsgemäß installiert wird, kann das eventuell zu einer Beschädigung des Poolsaugers, der Pool-Oberfläche oder der Vinylverkleidung führen.

### Allgemeine Geschäftsbedingungen der beschränkten Garantie

Bevor Sie Ihren Poolsauger installieren, lesen Sie bitte alle Warnhinweise, Sicherheitsanweisungen und Garantieinformationen in diesem Handbuch aufmerksam durch. Wenn diese Anweisungen nicht befolgt werden oder der Poolsauger nicht ordnungsgemäß installiert wird, kann das zu einer Beschädigung der Pool-Oberfläche oder der Vinylverkleidung führen. Fluidra S.A./AstralPool lehnt jede Haftung für Reparaturen oder Ersatz solcher Strukturen oder Bauteile im Pool des Kunden ab.

Beschränkte Garantie: 2 Jahre

Weiterführende Informationen : [www.astralpool.com](http://www.astralpool.com)

### Haftungsausschluss - Informationen zu Ihrem Pool und Ihrem Poolreiniger

Es gibt viele Faktoren, die einen Einfluss auf die Lebensdauer Ihres Pools haben. Der Poolreiniger ist ein äußerst passives Produkt, das sich nicht auf die Lebensdauer des Pools auswirkt.

Bitte beachten Sie, dass im Laufe der Zeit bei jeder Pool-Oberfläche Verschleißerscheinungen, Verfärbungen und Sprödigkeiten auftreten können, die durch Alter, unausgeglichene Pool-Chemikalien falsche Installation und andere Faktoren bzw. eine Kombination davon bedingt sind. Druckseitige Poolreiniger sind nicht für die Entfernung oder Abnutzung von "gutem" Pool-Kunststoff verantwortlich. In Wirklichkeit trifft das Gegenteil zu: Der Pool-Kunststoff sorgt für eine Abnutzung des Poolreinigers.

Das gleiche gilt auch für in den Boden eingelassene Swimming Pools mit Vinylverkleidung, da die Vinylverkleidungen auch der Umwelt und Faktoren wie Poolwasserchemie, Sonnenlicht und Pool-Umgebung ausgesetzt sind. Daher kann es vorkommen, dass das Vinyl mit der Zeit ein wenig spröde und schwach wird. Darüber hinaus sind Pools mit Vinylverkleidung von der Verarbeitungsgüte, Zusammensetzung und Installation der Verkleidung sowie der Ausführung und Bauqualität der Stützwände und des Poolbodens betroffen. Diese Faktoren können alle zu Fehlern bei der Verkleidung führen. Das Vorhandensein solcher Bedingungen in Ihrem Pool ist nicht durch die Verwendung oder den Betrieb des Poolreinigers bedingt. Der Hersteller lehnt jede Haftung für Reparaturen oder Ersatz solcher Strukturen oder Bauteile im Pool des Kunden ab.

Der Schwimmbadeigentümer muss sämtliche Verantwortung für den Zustand und die Wartung der Oberfläche, des Wassers und des Decks des Pools übernehmen.

Notieren Sie sich bitte vor der Installation des Poolsaugers die Seriennummer. Wenn Sie Kontakt mit dem Technischen Support aufnehmen, müssen Sie diese Nummer angeben.

SERIENNUMMER \_\_\_\_\_

## Poolvorbereitung

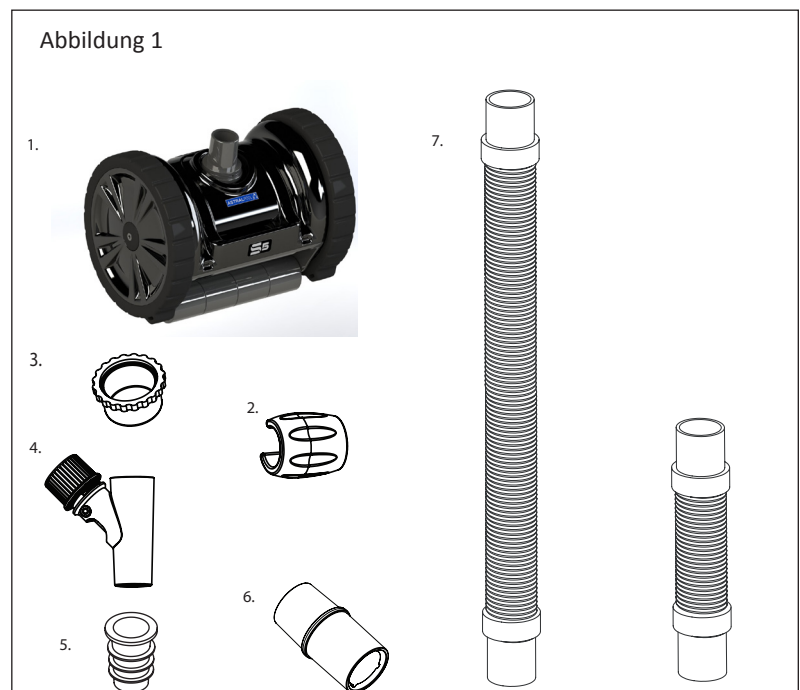
Vor der Installation des saugseitigen S5™-Poolreinigers muss Ihre Pool sauber und frei von Algen sein, um die Traktion des Poolsaugers nicht zu behindern. Bereiten Sie den Pool gegebenenfalls wie nachstehend erläutert vor:

1. Gleichen Sie das Poolwasser chemisch aus.
2. Bürsten Sie den Pool ab; warten Sie bis die Rückstände sich gesetzt haben.
3. Saugen Sie ihn sorgfältig von Hand.
4. Reinigen Sie den Filter und den Pumpensaugkorb.

## Bestandteile des Poolsaugers

Nehmen Sie den Poolsauger und alle Teile aus der Verpackung. Vergewissern Sie sich, dass keine Teile fehlen.

1. S5-Poolsaugergehäuse
2. Schlauchschwimmer
3. Ventilkappe
4. Regelventil
5. Konischer Adapter
6. Durchflussmessgerät
7. Schlauchsatz – 11 Abschnitte
  - 10 Standardschlauch mit Außen-/Innengewinde, 1 m
  - 1 Pilotschlauch



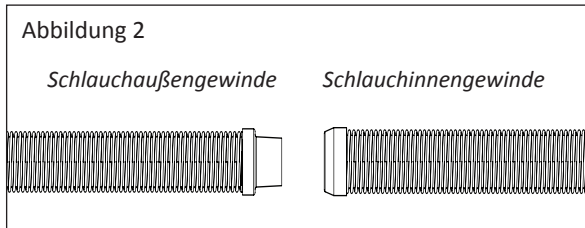
# ZUSAMMENBAU DES REINIGERS

Der selbstansaugende S5™-Poolreiniger wird für die einfache und schnelle Montage als einteiliger Poolsauger geliefert.

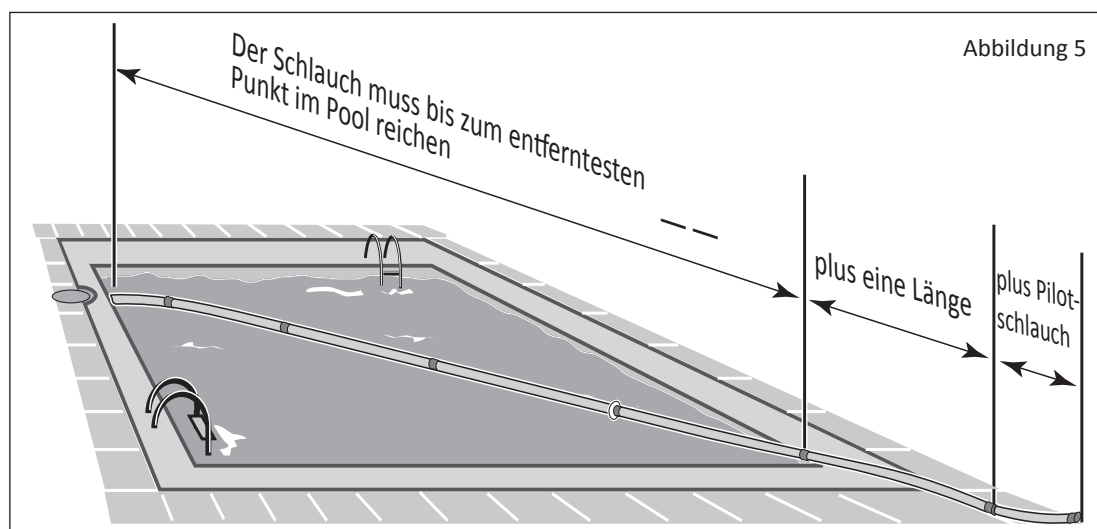
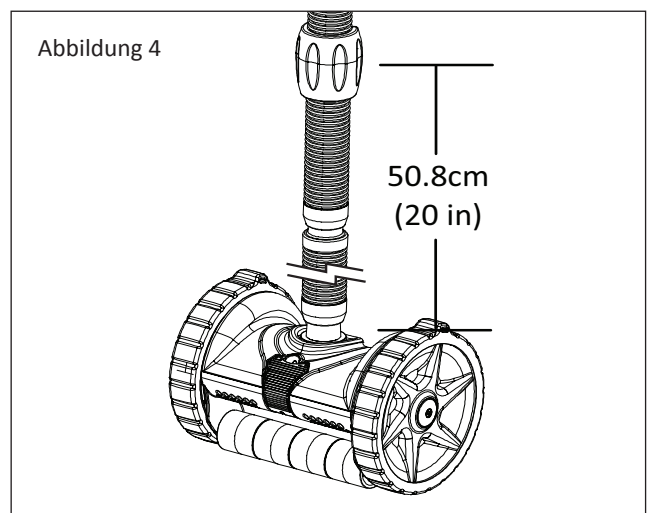
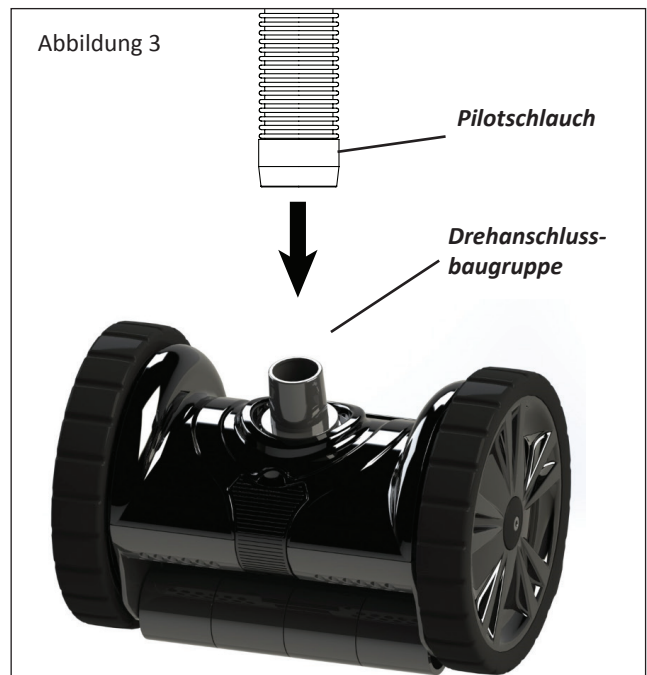
## Schlauchsatz

Für die besten Ergebnisse und den fehlerfreien Betrieb sollten ausschließlich Teile und -schläuche verwendet werden.

1. Für die Verbindung der Schlauchabschnitte nassen Sie die Endstücke mit Poolwasser. Schrauben Sie die Innengewinde dann in die Außengewinde.



2. Schließen Sie den Schlauch an den Poolsaugerdrehanschluss an. Siehe **Abbildung 3**.
3. Der Schlauch reicht vom Anschlusspunkt des Poolsaugers bis zum entferntesten Punkt am Pool plus einem Abschnitt und dem Pilotschlauch.
4. Montieren Sie den Schlauchschwimmer an der zweiten Schlauchlänge. Der Schwimmer sollte 50,8 cm (20 Zoll) über dem Poolsauger platziert werden. Siehe **Abbildung 4**.
5. Alle Verbindungen müssen fest angezogen sein.
6. Die benötigte Gesamtlänge des Schlauchs ermitteln Sie anhand der Distanz vom Anschlusspunkt des Schlauchs bis zum Ansauganschluss am entferntesten Punkt des Pools plus einer Länge und dem Pilotschlauch. Siehe **Abbildung 5**.



# INSTALLATION DES REINIGERS

## Standardinstallation

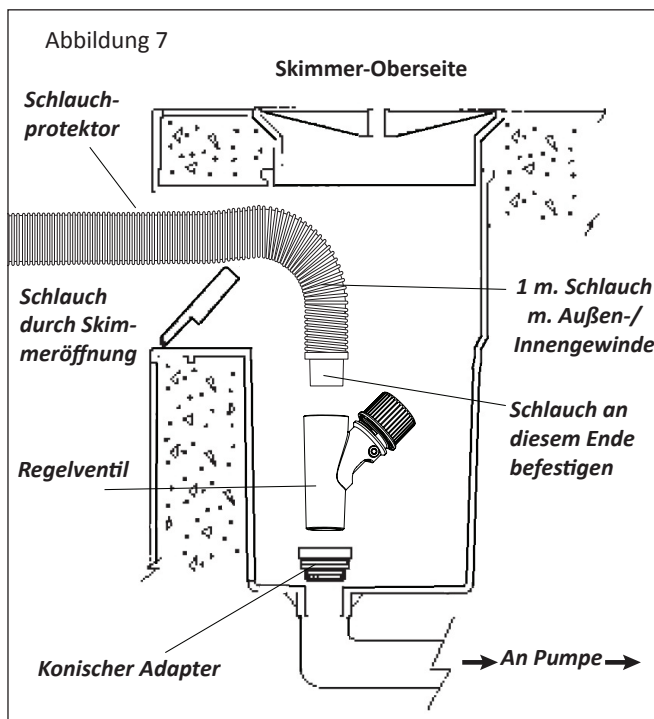
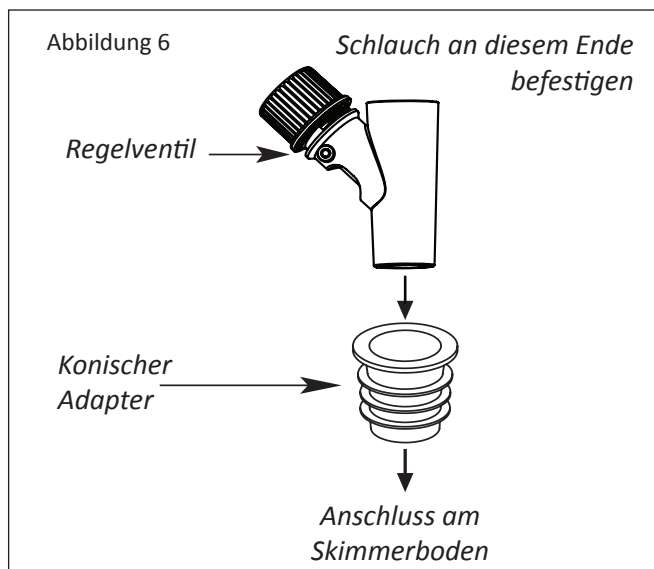
Der selbstansaugende S5™-Poolreiniger wurde für unzählige Swimming-Pool-Varianten entwickelt. In diesem Abschnitt werden sowohl die Installation im Skimmer als auch die Installation der optionalen Saugleitung erläutert. Wählen Sie die geeignete Konfiguration für Ihren Pool und befolgen Sie die Anweisungen.

**Hinweis:** Abhängig von den Merkmalen Ihres Pools wird die Ventilkappe für das Regelventil möglicherweise nicht benötigt.

1. Schalten Sie die Poolpumpe aus.
2. Schließen Sie den Hauptablauf und alle Ansaugleitungen, mit Ausnahme der Leitung vom Skimmer, an welchen der Poolsauger angeschlossen werden soll.
3. Nehmen Sie den Skimmerkorb heraus.
4. Setzen Sie den konischen Adapter in den Vakuumanschluss am Boden des Skimmers ein. Siehe **Abbildung 7**.
5. Drücken Sie das Regelventil in den konischen Adapter. Der Ventileinstellknopf muss nach oben zeigen.
6. Legen Sie den Poolsauger in den Pool. Bewegen Sie ihn seitlich und vorwärts und rückwärts, damit eingeschlossene Luft entweichen und der Poolsauger auf den Poolboden absinken kann. Führen Sie den Schlauch weiter vertikal nach unten, bis er vollständig mit Wasser gefüllt und die Luft ausgetreten ist.

**Hinweis:** Wenn Luft in die Poolleitungen gesaugt wird, ist die Pumpenansaugung möglicherweise nicht mehr gewährleistet.

7. Führen Sie das Schlauchende durch die Skimmeröffnung und schließen Sie den Schlauch direkt an das Regelventil an. Siehe **Abbildung 7**





## Optionale Installation Vakuumleitung

### Installation der Vakuumleitung mit Regelventil in Skimmer.

Wir empfehlen dringend die Verwendung des Regelventils, um die Wasserdurchfluss zwischen dem saugseitigen S5™-Poolreiniger und dem Skimmer auszugleichen. Beim Anschluss des Skimmers an eine Vakuumleitung installieren Sie das Regelventil im Skimmer.

1. Schalten Sie die Poolpumpe aus.
2. Schließen Sie den Hauptablauf und alle Ansaugleitungen, mit Ausnahme der Leitung vom Skimmer, an welchen der Poolsauger angeschlossen werden soll.
3. Drehen Sie die Snap-Lock-Wandbefestigung in das Ende der zugehörigen Ansaugleitung (optional - falls noch nicht installiert).

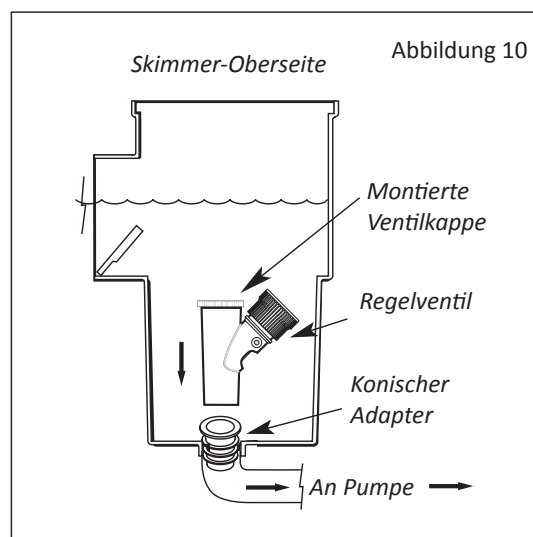
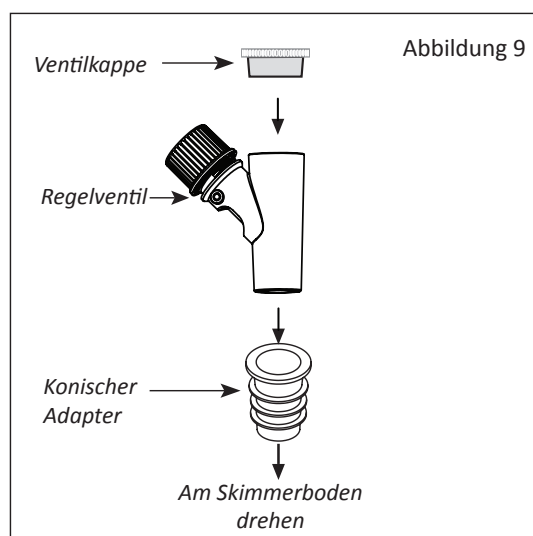
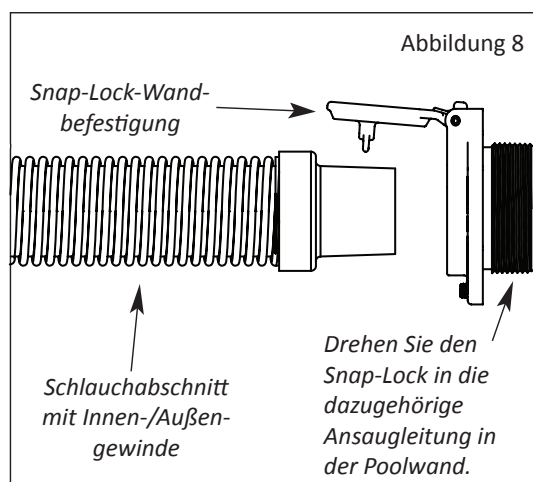
**Hinweis:** Zwei Umwicklungen mit Gewindedichtband um die Gewinde vereinfachen den späteren Ausbau.

4. Legen Sie den Poolsauger (mit dem angeschlossenen Schlauch) in den Pool. Drehen Sie ihn zur Seite und vorwärts und rückwärts, um eingeschlossene Luft abzulassen, damit der Poolsauger auf den Poolboden absinken kann. Führen Sie den Schlauch weiter vertikal nach unten, bis er vollständig mit Wasser gefüllt und die Luft ausgetreten ist.

**Hinweis:** Wenn Luft in die Poolleitungen gesaugt wird, ist die Pumpenansaugung möglicherweise nicht mehr gewährleistet.

5. Führen Sie das Außengewinde des letzten Schlauchanschlusses direkt in die Snap-Lock-Wandbefestigung. Siehe **Abbildung 8**.
6. Setzen Sie den konischen Adapter in den Vakuumanschluss am Boden des Skimmers ein.
7. Um den Wassereintritt durch die Oberseite des Regelventils zu unterbinden, befestigen Sie die Ventilkappe auf dem Ventil (Siehe **Abbildung 9**). Dann wird das Regelventil aktiviert und es ist sichergestellt, dass die exakte Wassermenge (6 m<sup>3</sup>/h) durch die Vakuumleitung und den Poolsauger strömt. Ohne die Ventilkappe kann der fehlerfreie Betrieb von Ventilkappe und Poolsauger nicht gewährleistet werden. Siehe **Abbildung 10**.
8. Drücken Sie das Regelventil in den konischen Adapter.

Schalten Sie die Poolpumpe nach dem Abschluss der Installation ein. Lassen Sie die Pumpe einige Minuten laufen, damit die gesamte Luft aus dem System entweichen kann.



## Durchflussanpassung zum Poolsauger mithilfe des Durchflussmessgerätes

1. Schalten Sie die Poolpumpe aus.
2. Trennen Sie den saugseitigen S5™-Poolreiniger vom Pilotschlauch und schließen Sie das Durchflussmessgerät an.  
**Hinweis:** Der Schlauch muss eingetaucht sein, um den Eintritt von Luft zu unterbinden.
3. Schalten Sie die Pumpe ein.
4. Um den Durchfluss zu erhöhen, drehen Sie den Ventilregelknopf im Uhrzeigersinn, um ihn zu verringern, drehen Sie ihn gegen den Uhrzeigersinn bis an der Anzeigescheibe des Durchflussmessgerätes ein stabiler Wert zwischen "Maximum" und "Minimum" angezeigt wird. Siehe **Abbildung 11**.
5. Schalten Sie die Poolpumpe aus, nehmen Sie das Durchflussmessgerät ab und schließen Sie den Poolsauger wieder an.
6. Senken Sie den Poolsauger im Pool ab und lassen Sie ihn auf den Poolboden sinken.
7. Schalten Sie die Pumpe ein.



## Berechnung der Poolsaugergeschwindigkeit (U/Min) ohne Durchflussmessgerät

Wenn Ihr Poolsauger nicht mit einem Durchflussmessgerät ausgestattet sein sollte, befolgen Sie die nachstehenden Schritte, um die Umdrehungen des Poolsaugers zu ermitteln und anzupassen (U/Min).

1. Bewegen Sie den laufenden Poolsauger knapp unter die Wasseroberfläche des Pools.  
**Hinweis:** Der Poolsauger muss bei laufender Pumpe untergetaucht sein. Dann saugt der Poolsauger keine Luft in das Poolsystem an.
2. Zählen Sie die vollständigen Umdrehungen des markierten Rades während der Zeitspanne von einer Minute. Die Anzahl der Umdrehungen ergibt die Umdrehungen pro Minute. Die vollständigen Umdrehungen lassen Sie einfach ermitteln, indem Sie die Anzahl der Rad-Humps an der Drehanschlussbaugruppe zählen.
3. Der S5 erbringt die beste Leistung bei 11 bis 13 U/Min.  
Wenn die Umdrehungen pro Minute (U/Min.) den Wert 11 unterschreiten, stellen Sie das Regelventil ein (Regelknopf im Uhrzeigersinn drehen) und wiederholen die Schritte 1-2, bis die U/Min. im optimalen Bereich ist.  
Wenn die Umdrehungen pro Minute (U/Min.) den Wert 13 überschreiten, stellen Sie das Regelventil ein (Regelknopf gegen den Uhrzeigersinn drehen) und wiederholen die Schritte 1-2, bis die U/Min. im optimalen Bereich ist.

## ANPASSUNGEN UND BETRIEB DES REINIGERS

Schalten Sie die Poolpumpe nach der Installation ein. Der S5™-Saugreiniger muss sich mit 2,5 bis 3,5 m/Minute durch den Pool bewegen. Überprüfen Sie die folgenden Anfangseinstellungen.

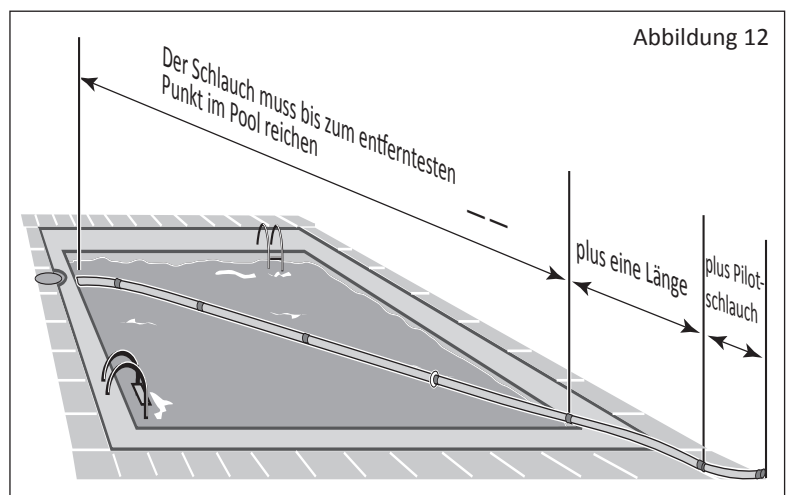
### Schlauchlänge

**Hinweis:** Die Pumpe muss eingeschaltet sein, wenn Sie die Schlauchlänge kontrollieren. Der Schlauch zieht sich zusammen, wenn die Pumpe läuft, und ist länger, wenn die Pumpe ausgeschaltet ist.

Während des Reinigerbetriebs:

1. Bringen Sie den Reiniger an den Punkt im Pool, wo er am weitesten von seinem Anschlusspunkt entfernt ist. Mithilfe einer Poolstange und der Brüste lässt sich der Reiniger einfach im Pool positionieren.
2. Der Schlauch sollte lang genug sein, um bis zum Ende des Pools zu reichen, wozu noch ein Schlauchabschnitt und das kurze Anschlussstück hinzuzurechnen sind. Siehe **Abbildung 12**.
3. Entfernen Sie überschüssige Schlauchlängen aus der Mitte der Schlauchbaugruppe. Auf diese Weise ist gewährleistet, dass sich die Position des Schlauchschwimmers nicht verändert.
4. Heben Sie die nicht benötigten Schlauchabschnitte als mögliche Ersatzteile auf.

**Hinweis:** Schalten Sie die Pumpe ab, wenn Sie Schlauchabschnitte hinzufügen oder entfernen.



## Rückleitungswasserdurchfluss

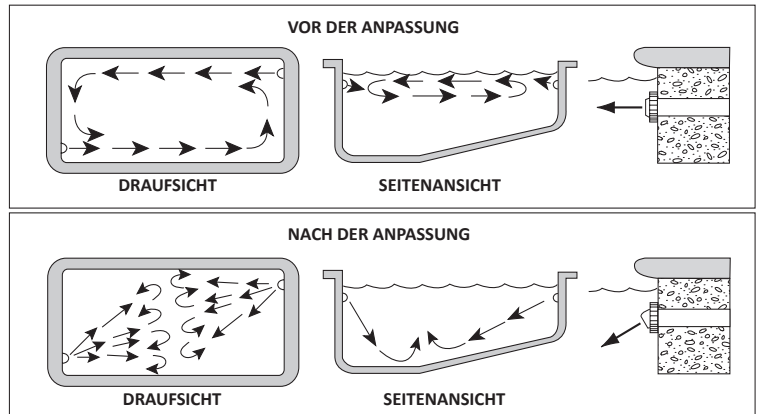
**WICHTIG:** Der Wasserdurchfluss in der Rücklaufleitung kann den Schlauch des S5™-Poolsaugers verschieben und die Leistung beeinträchtigen. Dann entfernt sich der Reiniger ggf. vom Ende des Pools, an dem die Rücklaufleitung angeschlossen ist oder Ihr Reiniger bleibt in einem Abschnitt des Pools. Dieses Problem lässt sich mit einem Kugeldiverter lösen.

### Kugeldiverterpositionen

Positionieren Sie den Kugeldiverter so, dass der Wasserdurchfluss in der Rücklaufleitung die Bewegung des Reinigers nicht behindert. Probieren Sie verschiedene Positionen aus, um die Beste für Ihren Pool zu ermitteln:

- Wasserdurchfluss entlang der Poolseite (die Kachellinie)
- Wasserdurchfluss nach unten
- Wenn der Wasserdurchfluss zum Schlauch hin gerichtet ist, wird der Reiniger von Hindernissen weg geführt, z. B. von Treppen und Leitern.

Nach der Montage des Kugeldiverters schalten Sie die Umwälzpumpe wieder ein. Der Reiniger sollte nun beginnen, sich über den Poolboden zu bewegen und den Schmutz auf seinem Weg aufzusaugen.



## WARTUNG

Der S5™-Saugreiniger wurde wartungsarm entwickelt. Überprüfen Sie die folgenden Punkte regelmäßig:

- Die Turbine bewegt sich frei und wird nicht durch Ablagerungen behindert. Siehe "Verschmutzungen aus der Turbine entfernen" weiter unten.
- Die Reifen sind nicht stark verschlissen. Siehe **Abbildung 18** auf der nächsten Seite.

Wir empfehlen, dass Sie den Reiniger - außer während chemischen Schockbehandlungen - im Pool belassen.

- Wenn sich Schwimmer im Pool aufhalten, kann der Reiniger einfach ausgesteckt und zur Seite gezogen werden.
- **Hinweis:** Wickeln Sie den Schlauch während der Lagerung des Reinigers nicht auf. Legen Sie den Schlauch flach und vor Sonneneinstrahlung geschützt auf den Boden.

Der Reinigerschlauch wurde für die optimale Saugleistung entwickelt. Falls der Schlauch einmal ausgetauscht werden muss, sollten Sie auf einem Pentair-Reinigerschlauch bestehen.

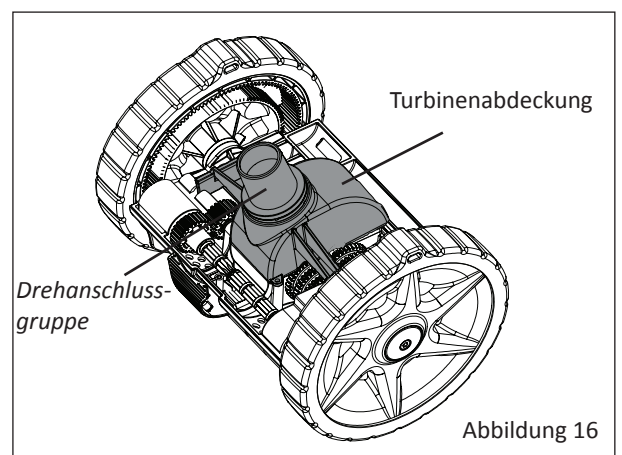
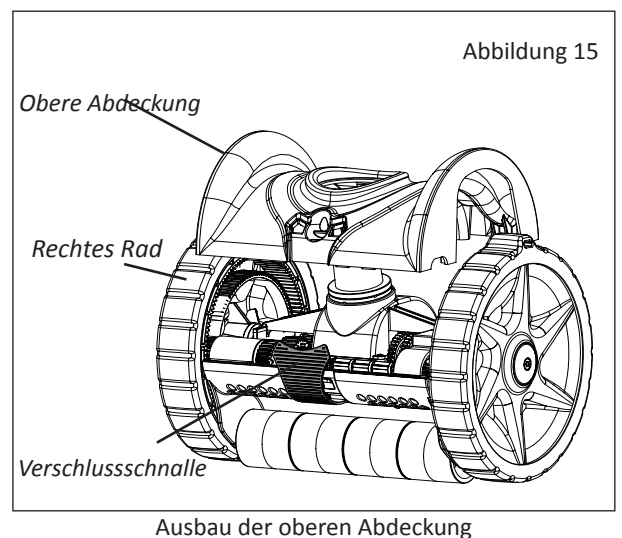
### Verschmutzungen aus der Turbine entfernen

1. Die Poolpumpe muss ausgeschaltet sein. Nehmen Sie den Poolsauger aus dem Pool und trennen Sie ihn vom Pilotschlauch.
2. Schauen Sie nach, ob etwas den Poolsauger verstopft. Dazu positionieren Sie den Poolsauger so, dass der Verschluss zu Ihnen zeigt. Versuchen Sie dann das rechte Rad nach Vorne zu drehen. Wenn das Rad sich ohne Widerstand drehen lässt, ist vermutlich kein Hindernis vorhanden. Bei einem Hindernis würde es nicht drehen.
3. Legen Sie den Reiniger auf eine flache Oberfläche. Öffnen Sie den Verschluss an der Vorderseite des Reinigers, indem Sie ihn heraus und nach unten ziehen.

Heben Sie die Vorderseite der oberen Abdeckung an und ziehen Sie sie fest nach Vorne. Nun wird die obere Abdeckung vom Körper des Reinigers getrennt und Sie können sie gerade nach oben vom Körper des Reinigers heben (siehe **Abbildung 15**). Legen Sie die Abdeckung beiseite.

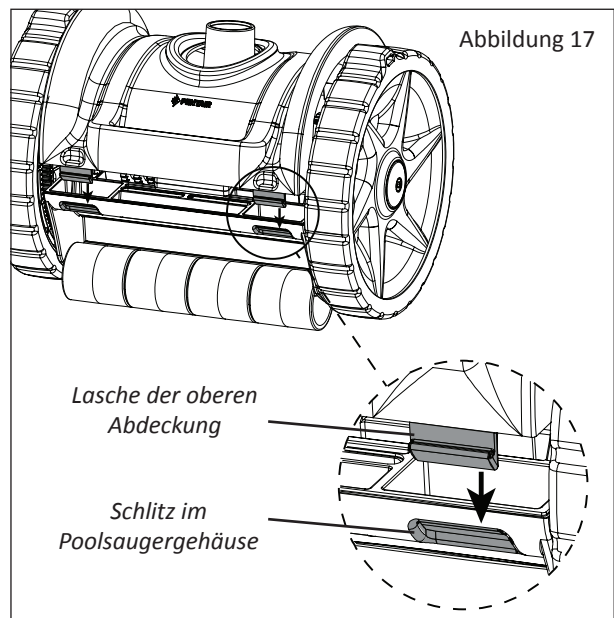
**Hinweis:** Die obere Abdeckung ist fest montiert, daher müssen Sie ggf. etwas daran rütteln.

4. Ziehen Sie die Turbinenabdeckung gerade vom Saugergehäuse ab. Legen Sie die Turbinenabdeckung beiseite. Siehe **Abbildung 16**.



Drehanschlussbaugruppe und Innenbauteile des Poolsaugers

5. Entfernen Sie alle Hindernisse aus der Turbine und der Turbinenabdeckung.
6. Tauschen Sie die Turbinenabdeckung und beachten Sie, dass die Drehanschlussbaugruppe zur Vorderseite des Poolsaugers zeigen muss. Siehe **Abbildung 16**.
7. Unterziehen Sie den restlichen Reiniger einer Sichtprüfung und entfernen Sie ggf. Ablagerungen in den Getrieben, Antriebswellen, der Drehanschlussbaugruppe usw.
8. Wiederholen Sie **Schritt 2 (rechtes Rad drehen)**, um sich zu vergewissern, dass der Poolsauger ohne Probleme läuft.
9. Setzen Sie die obere Abdeckung auf die Drehanschlussbaugruppe.
10. Führen Sie die Laschen an der Rückseite der oberen Abdeckung in die Schlitze an der Rückseite des Saugergehäuses ein (siehe **Abbildung 17**). Sobald die Laschen in den Schlitzen an der Vorderseite sitzen, rastet die Abdeckung ein.
11. Verriegeln Sie obere Abdeckung mithilfe der Verschlusschnalle an der Vorderseite am Körper des Poolsaugers.



Laschen in der Abdeckung und entsprechende Gehäuseschlitze

## Reifenwechsel

**Nach längerer Verwendung müssen die Gummiräder des selbstansaugenden S5™-Poolreinigers möglicherweise ausgetauscht werden. Wenn die Reifen bis auf die Nute abgerieben sind, müssen die Reifen ausgetauscht werden. Siehe Abbildung 18.**

**So bauen Sie die Reifen des Poolsaugers aus:**

1. Schalten Sie die Pumpe aus und nehmen Sie den Reiniger aus dem Pool.
2. Trennen Sie den Poolsauger vom Pilotschlauch.
3. Legen Sie den Poolsauger auf eine flache Arbeitsfläche und lösen Sie den Reifen von oben nach unten vom Rad.

**Hinweis:** Lösen Sie den Reifen mit der Hand. Wenn Sie den Reifen mit Werkzeug (Schraubendreher, Inbusschlüssel usw.) abnehmen, kann das Rad beschädigt werden.

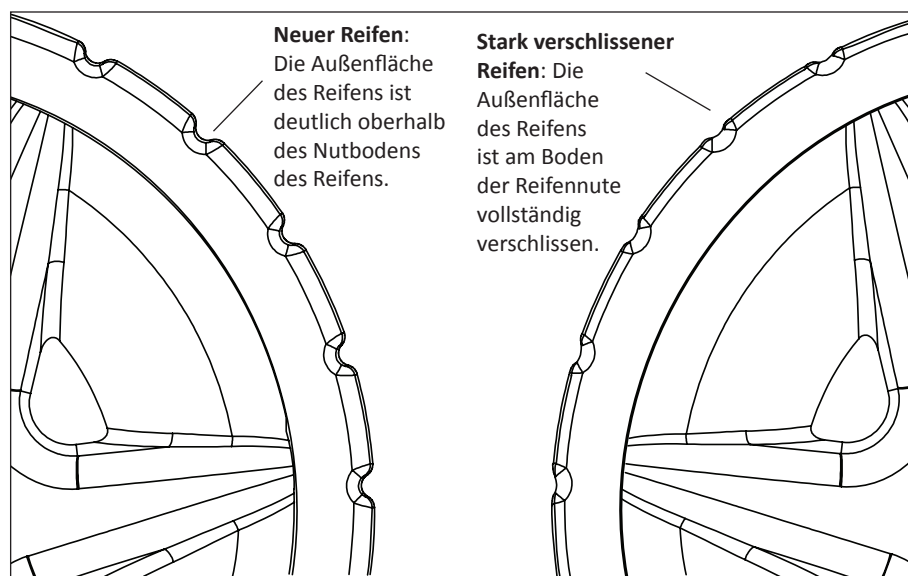


Abbildung 18: Reifenverschleiß - Vergleich

**So bauen Sie den Ersatzreifen ein:**

1. Legen Sie den Poolsauger auf eine flache Arbeitsfläche und setzen Sie die Oberseite des Gummireifens auf das Rad. Die hintere Lippe des Reifens muss flach an der Innenkante des Rads anliegen.  
**Hinweis:** Lösen Sie den Reifen mit der Hand. Wenn Sie den Reifen mit Werkzeug (Schraubendreher, Inbusschlüssel usw.) abnehmen, kann das Rad beschädigt werden.
2. Ziehen Sie die Unterseite des Reifens über die Unterseite des Rads. Die hintere Lippe des Reifens muss flach an der Innenkante des Rads anliegen.
3. Falten Sie die hintere Lippe des Reifens entlang des gesamten Reinigerads auf die Rückseite des Reinigerads. Der Reifen muss flach auf der Radoberfläche aufliegen.

## FEHLERBESEITIGUNG

Abhängig von den individuellen Eigenschaften Ihres Pools müssen Sie ggf. weitere Anpassungen vornehmen, damit die bestmögliche Leistung des S5™ Poolsaugers gewährleistet ist. Mögliche Probleme lösen Sie mithilfe der folgenden Informationen.

| PROBLEM   | KORREKTURMASSNAHME   |
|---|--|
| Der Poolsaugerbewegt sich überhaupt nicht oder zu langsam.                      | <p>Überprüfen Sie den Durchfluss mithilfe des beiliegenden Durchflussmessgerätes oder indem Sie die U/Min. berechnen und den Durchfluss ggf. mithilfe des Regelventils anpassen.</p> <p>Überprüfen Sie den Poolsauger im Inneren auf Ablagerungen.</p> <p>Überprüfen Sie, ob die Pumpe ansaugt. Überprüfen Sie das System auf Lecks, die die Pumpenansaugung verhindern.</p> <p>Eventuell ist der Durchfluss durch das System nicht ausreichend. Möglicherweise muss der Filter rückgespült werden.</p> <p>Kontrollieren Sie, dass der Hauptablauf und alle anderen Saugleitungen geschlossen sind, außer der Saugleitung, an den Reiniger angeschlossen ist.</p> <p>Überprüfen Sie das System auf Hindernisse (z. B. Schmutz im Filter, dem Pumpenkorb oder dem Pumpenflügelrad).</p> <p>Möglicherweise sind die Poolpumpe und das Filtersystem nicht für den richtigen Wasserdurchfluss ausgelegt (zu klein). Wenden Sie sich an Ihren Poolexperten.</p> |
| Das rechte Rad des Poolsaugers lässt sich nicht von Hand drehen.                | Überprüfen Sie den Poolsauger auf Verschmutzungen.   |
| Der Poolsauger bleibt an einem Ende des Pools.                                  | <p>Überprüfen Sie den Durchfluss mithilfe des beiliegenden Durchflussmessgerätes oder indem Sie die U/Min. berechnen und den Durchfluss ggf. mithilfe des Regelventils anpassen.</p> <p>Überprüfen Sie den Durchfluss in der Rücklaufleitung und richten Sie diese ggf. mit dem beiliegenden Kugeldiverter neu aus.</p> <p>Überprüfen Sie, ob der Schlauch lang genug ist, um den entferntesten Punkt im Pool zu erreichen.</p> <p>Überprüfen Sie, ob der Schlauchschwimmer richtig platziert ist. Möglicherweise ist der Schwimmer in der falschen Position.</p> <p>Die Drehanschlussbaugruppe (oben auf dem Poolsauger) muss sich problemlos drehen. Sonst ist die Drehanschlussbaugruppe möglicherweise verschmutzt und muss gereinigt werden.</p>  |
| Der Poolsauger klettert zu weit an der Wand nach oben oder aus dem Pool heraus. | Überprüfen Sie den Durchfluss mithilfe des beiliegenden Durchflussmessgerätes oder indem Sie die U/Min. berechnen und den Durchfluss ggf. mithilfe des Regelventils anpassen.  |
| Der Poolsauger bewegt sich nicht an den Poolwänden nach oben.                   | <p>Überprüfen Sie die Reifen des Poolsaugers auf Verschleiß. Stark verschlissene Reifen haben nicht den notwendigen Grip, den der Reiniger benötigt, um an den Poolwänden nach oben zu klettern.</p> <p>Überprüfen Sie den Durchfluss mithilfe des beiliegenden Durchflussmessgerätes oder indem Sie die U/Min. berechnen und den Durchfluss ggf. mithilfe des Regelventils anpassen.</p> <p>Vergewissern Sie sich, dass der Pilotschlauch installiert wurde und sich an der richtigen Stelle befindet.</p> <p>Überprüfen Sie, ob der Schlauchschwimmer richtig platziert ist. Möglicherweise ist der Schwimmer in der falschen Position.</p>  |
| Der Reiniger bleibt am Hauptabfluss.  | <p>Vergewissern Sie sich, dass der Hauptabfluss geschlossen ist. Eventuell benötigen Sie die Hilfe eines Poolexperten.</p> <p>Vergewissern Sie sich, dass das Gitter am Hauptabfluss montiert ist.</p>   |
| Der Poolsauger fällt auf die Seite und braucht lange, um sich aufzurichten.     | <p>Überprüfen Sie, ob der Schlauchschwimmer richtig platziert ist. Möglicherweise ist der Schwimmer in der falschen Position.</p> <p>Vergewissern Sie sich, dass der Pilotschlauch installiert wurde und sich an der richtigen Stelle befindet.</p> <p>Überprüfen Sie, ob der Schlauch lang genug ist, um den entferntesten Punkt im Pool zu erreichen.</p> <p>Die Fittings der Rücklaufkugel verschieben möglicherweise den Saugschlauch.</p>   |

**BEGRENZTE GARANTIE : 2 JAHRE.**

**WEITERFÜHRENDE INFORMATIONEN : [www.astralpool.com](http://www.astralpool.com)**

## Klantendienst

Website: [www.astralpool.com](http://www.astralpool.com)  
E-mail: [info@astralpool.com](mailto:info@astralpool.com)

### Conformiteitsverklaring

We verklaren, onder onze enige verantwoordelijkheid, dat het product dat in deze verklaring geïdentificeerd wordt en waarop deze verklaring betrekking heeft, in overeenstemming is met de veiligheidsvereisten volgens Richtlijn 2006/42/EG van de Raad.



De fabrikant, Fluidra, heeft het recht om de producten zonder voorafgaande melding te wijzigen, voor zover hun eigenschappen hierdoor niet wezenlijk veranderd worden.

© 2015 Fluidra S.A. Alle rechten voorbehouden. Dit document kan zonder voorafgaande kennisgeving gewijzigd worden.

Handelsmerken en disclaimers: alle AstralPool handelsmerken en logo's zijn eigendom van Fluidra S.A. S5™ en AstralPool® zijn handelsmerken van Fluidra S.A. en/of zijn dochterondernemingen in Spanje en/of andere landen. Tenzij uitdrukkelijk vermeld, worden de namen en merken van derde partijen die in dit document aan bod komen, niet gebruikt om een band tussen de eigenaars van die namen en merken en Fluidra S.A. aan te geven. Die namen en merken kunnen handelsmerken of geregistreerde handelsmerken van die derde partijen zijn.

Het niet opvolgen van de instructies in deze handleiding kan ernstige ongewenste gezondheidseffecten, of zelfs ernstige of dodelijke letsels tot gevolg hebben. Wanneer de instructies in deze handleiding niet opgevolgd worden, vervallen in ieder geval alle garanties en aansprakelijkheden van de fabrikant. **DE INSTALLATEURS, OPERATORS EN EIGENAARS MOETEN DEZE WAARSCHUWINGEN EN ALLE INSTRUCTIES IN DE GEBRUIKERSHANDLEIDING LEZEN VOOR ZIJ DEZE ZWEMBADZUIGER GEBRUIKEN. DE EIGENAAR VAN DE WONING MOET DEZE WAARSCHUWINGEN EN DE GEBRUIKERSHANDLEIDING BIJHOUDEN.**

## BELANGRIJKE WAARSCHUWINGEN EN VEILIGHEIDSINSTRUCTIES



### Belangrijk:



**WAARSCHUWING** Opgelet - installateur: deze gids bevat belangrijke informatie over de installatie, de bediening en het veilige gebruik van dit product. Deze informatie moet na de installatie van de zwembadzuiger aan de eigenaar en/of operator van deze uitrusting gegeven worden.

Opgelet - gebruiker: deze handleiding bevat belangrijke informatie om u te helpen deze zwembadzuiger te bedienen en te onderhouden. Bewaar ze zodat u ze later kunt raadplegen. Raadpleeg AstralPool als u vragen hebt over deze uitrusting.

Vooraleer dit product te installeren, dient u alle waarschuwingen en instructies in de handleiding te lezen en op te volgen. Wanneer de veiligheidswaarschuwingen en -instructies niet gevolgd worden, kan dat resulteren in ernstige verwondingen, de dood of materiële schade. Ga naar [www.astralpool.com](http://www.astralpool.com) voor bijkomende gratis exemplaren van deze instructies.

### Consumenteninformatie en veiligheid

Deze zwembadzuiger is ontworpen en gemaakt om jarenlang veilig en betrouwbaar te werken als hij geïnstalleerd, bediend en onderhouden wordt zoals in deze handleiding beschreven. In deze handleiding worden de veiligheidswaarschuwingen en -voorzorgen aangegeven door het symbool "⚠". Lees al deze waarschuwingen en voorzorgen en neem ze in acht.

Leg de pomp stil voor u de eenheid schoonmaakt. Laat geen zwemmers in het zwembad terwijl de zwembadzuiger aan het werk is.



**WAARSCHUWING** Zwemmers kunnen over de leiding struikelen of er in verward raken wat de verdrinkingsdood tot gevolg kan hebben.

De bewegende onderdelen kunnen handen of vingers kwetsen. Leg de pomp stil voor u de zwembadzuiger schoonmaakt.



**OPGELET**

## Algemene informatie over de installatie

### Checklist - te overlopen voor u de installatie uitvoert

Voor u uw zwembadzuiger installeert, moet u alle waarschuwingen en de veiligheidsinformatie in deze gids lezen en begrijpen. Wanneer die instructies niet gevolgd worden of wanneer de zwembadzuiger verkeerd geïnstalleerd wordt, kan dat leiden tot schade aan de zwembadafwerking of de vinyl bekleding. De meeste zwembadzuigers zijn niet ontworpen om de overgang van bodem naar wand te maken wanneer die hoek 90° is. In het zwembad kunnen andere structuren geïnstalleerd zijn die de navigatie van de zwembadzuiger hinderen. HOU DAAR REKENING MEE en hou de zwembadzuiger in zulke omstandigheden in het oog. Fluidra S.A./AstralPool wijst elke aansprakelijkheid voor reparaties aan of vervangingen van zulke structuren of onderdelen in het zwembad van de klant van de hand.

#### Voor u de zwembadzuiger in een zwembad met vinyl bekleding installeert:

Controleer de bekleding nauwkeurig op tekenen van ouderdom of slijtage als gevolg van chemicaliën, schade aan de zwembadwand, enz. Elke schade die u opmerkt, moet u door een gekwalificeerd vakman laten herstellen. Als er stenen, wortels e.d. onder de bekleding zitten, moet u die ook verwijderen voor u de zwembadzuiger installeert.

#### Voor u de zwembadzuiger installeert in een zwembad dat met gunite bekleed is of dat gedeeltelijk betegeld is:

Zorg ervoor dat de afwerkingslaag van het zwembad in goede staat is, omdat vlekken, barsten en afschilferende lagen erger kunnen worden. Repareer losse tegels en draai eventueel losse lichtringen vast.

#### Voor u de zwembadzuiger installeert, maakt u uw filtersysteem schoon:

Zorg ervoor dat u de filter hebt schoongemaakt - voer daarbij een terugspoeling uit, spoel de filter en maak alle zeefmanden leeg. Een zuiver systeem is nodig opdat de zwembadzuiger goed zou werken en het volledige zwembad zou kunnen schoonmaken.

#### Voor u de zwembadzuiger installeert, moet u de werking ervan goed begrijpen:

de zwembadzuiger is ontworpen om het vuil in uw zwembad in ongeveer 4-6 uur te verwijderen. Afhankelijk van de grootte van het zwembad kan het schoonmaken minder tijd vergen. De zwembadzuiger is niet ontworpen om trappen of instapzones automatisch schoon te maken, of om onder een zonneafdekking te werken. Op die plekken kan de zwembadzuiger vast komen te zitten waardoor de afwerking of de vinyl bekleding van het zwembad beschadigd kan raken. Fluidra S.A./AstralPool wijst elke aansprakelijkheid voor reparaties aan of vervangingen van zulke structuren of onderdelen in het zwembad van de klant van de hand. De zwembadzuiger is evenmin ontwikkeld om een nieuw zwembad voor de eerste keer schoon te maken of om een zwembad schoon te maken wanneer u het voor het seizoen opent.

#### NADAT u de zwembadzuiger geïnstalleerd heeft, moet u controleren of hij goed werkt.

Het kan nodig zijn om de instellingen van de zwembadzuiger aan te passen om te garanderen dat hij goed werkt en om geen schade aan de afwerking van het zwembad te veroorzaken. Sommige patronen in vinyl bekleding zijn bijzonder gevoelig voor zaken zoals oppervlakteslijtage, het vervagen van de tekening, het afwrijven van de inkt en ernstige krassen in het patroon. Dit als gevolg van voorwerpen, met inbegrip van automatische zwembadzuigers, die in contact met het oppervlak komen. Fluidra S.A./AstralPool is niet verantwoordelijk voor het verdwijnen van tekeningen, voor schuurschade of voor markeringen op vinyl bekledingen. Controleer geregeld de onderdelen van de zwembadzuiger en de werking ervan om ervoor te zorgen dat hij werkt zoals bedoeld. Vervang en/of repareer versleten of beschadigde onderdelen. Wanneer die instructies niet gevolgd worden of wanneer de zwembadzuiger verkeerd geïnstalleerd wordt, kan dat leiden tot schade aan de zwembadafwerking of de vinyl bekleding.

### Beperkte garantie - Termijnen en voorwaarden

Voor u uw zwembadzuiger installeert, moet u alle waarschuwingen en de veiligheidsinformatie in deze gids lezen en begrijpen. Wanneer die instructies niet gevolgd worden of de zwembadzuiger niet volgens de regels geïnstalleerd wordt, kan dat tot schade aan de afwerking of de vinyl bekleding van het zwembad leiden. Fluidra S.A./AstralPool wijst elke aansprakelijkheid voor reparaties aan of vervangingen van zulke structuren of onderdelen in het zwembad van de klant van de hand.

Beperkte garantie: 2 jaar.

Meer details: [www.astralpool.com](http://www.astralpool.com)

### Disclaimer i.v.m. de aansprakelijkheid - Over uw zwembad en zwembadzuiger

Er zijn een hele reeks van factoren die een invloed hebben op de levensduur van uw zwembad. De zwembadzuiger is een erg passief product dat geen impact op de levensduur van het zwembad heeft.

Hou er rekening mee dat na verloop van tijd de zwembadbekleding beschadigd, verkleurd of bros kan worden door factoren zoals ouderdom, een onevenwicht in de chemische samenstelling van het water, een verkeerde installatie of nog andere factoren die al dan niet alleen of in combinatie voorkomen. Zwembadzuigers zullen een "goede" zwembadbepleistering niet verwijderen of beschadigen. Veeleer is het omgekeerde het geval - de zwembadbepleistering leidt uiteindelijk tot slijtage van de zwembadzuiger.

Hetzelfde geldt voor ingegraven zwembaden met vinyl bekleding. De vinyl bekleding wordt ook aangetast door het milieu en door factoren zoals de chemische samenstelling van het water, het zonlicht en de omgeving van het zwembad. Daardoor kan het vinyl na verloop van tijd bros en zwak worden. Daarnaast hangt de staat van zwembaden met vinyl bekleding af van het vakmanschap waarmee de bekleding aangebracht is, van de samenstelling en installatie van die bekleding, en van het vakmanschap en de kwaliteit waarmee de steunmuren en de zwembadondergrond gebouwd zijn. Dat zijn allemaal factoren die kunnen bijdragen tot tekortkomingen in de bekleding. Dat uw zwembad zulke tekortkomingen vertoont, is niet het resultaat van het gebruik of de bediening van de zwembadzuiger. De producent wijst elke aansprakelijkheid voor reparaties aan of vervangingen van zulke structuren of onderdelen in het zwembad van de klant van de hand.

De eigenaar van het zwembad is verantwoordelijk voor de staat en het onderhoud van het zwembadoppervlak, het water en de rand van het zwembad.

Voor de zwembadzuiger geïnstalleerd wordt, schrijft u het serienummer op. Wanneer u contact opneemt met onze technische dienst, vraagt die naar dat nummer.

SERIE # \_\_\_\_\_

# HET ZWEMBAD KLAARMAKEN

## Het zwembad klaarmaken

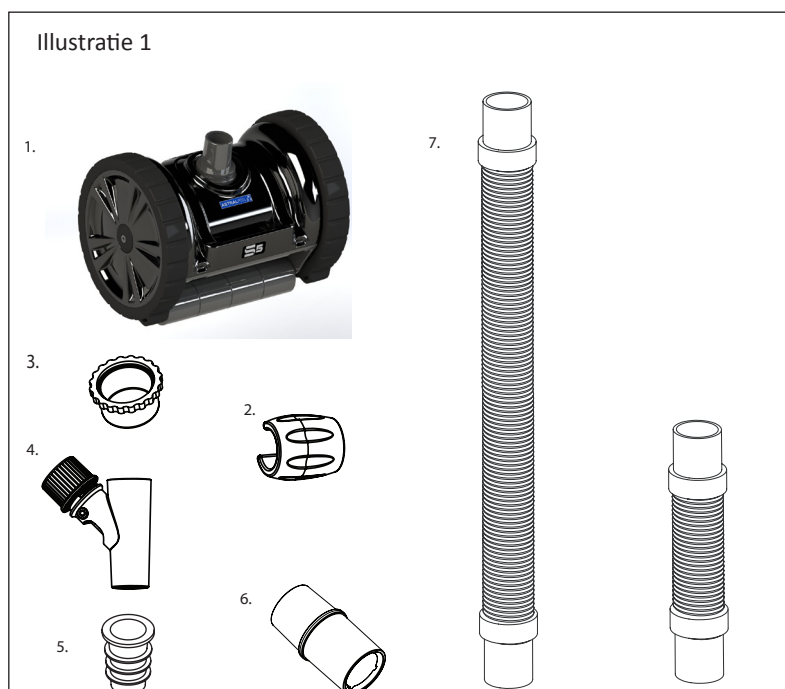
Voor u de S5™ Suction Side Pool Cleaner installeert, moet uw zwembad zuiver zijn en vrij van algen om de tractie van de zwembadzuiger niet te hinderen. Indien nodig voert u de volgende voorbereidingen uit voor u voortgaat:

1. Breng de chemische samenstelling van het zwembadwater in evenwicht.
2. Borstel het zwembad en laat het vuil bezinken.
3. Zuig het vuil grondig met de hand weg.
4. Maak de filter en de zeefmand van de pomp schoon.

## Onderdelen van de zwembadzuiger

Neem de zwembadzuiger en alle onderdelen uit de doos. Controleer of alle onderdelen bijgevoegd zijn.

1. Behuizing van de S5 zwembadzuiger
2. Leidingvlotter
3. Klepkap
4. Regelklep
5. Conische adaptor
6. Debietkaliber
7. Leidingset – 11 secties
  - 10 Standaard mannelijke/vrouwelijke leidingen van 1 m
  - 1 hoofdleiding





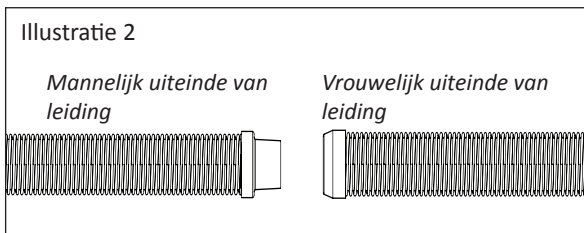
# DE ZWEMBADZUIGER ASSEMBLEREN

De behuizing van de S5™ Suction Side Pool Cleaner wordt als één stuk verpakt, zodat de zwembadzuiger snel en eenvoudig geassembleerd kan worden.

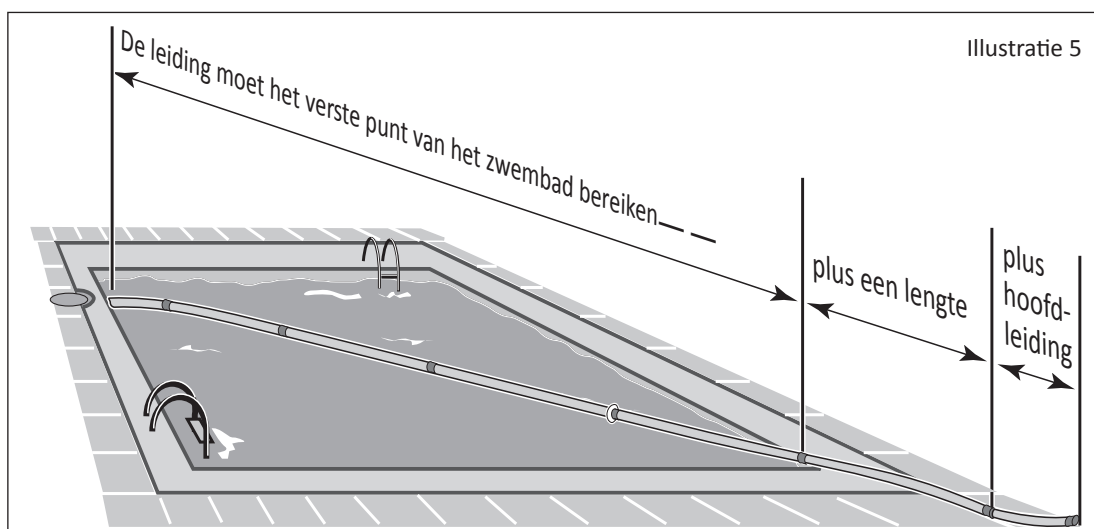
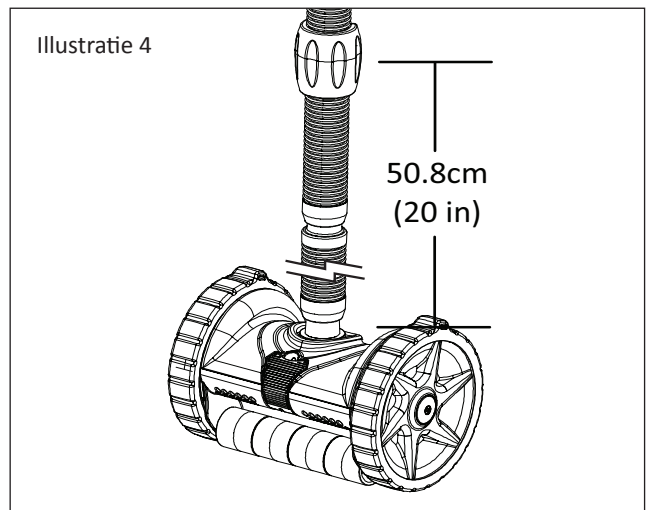
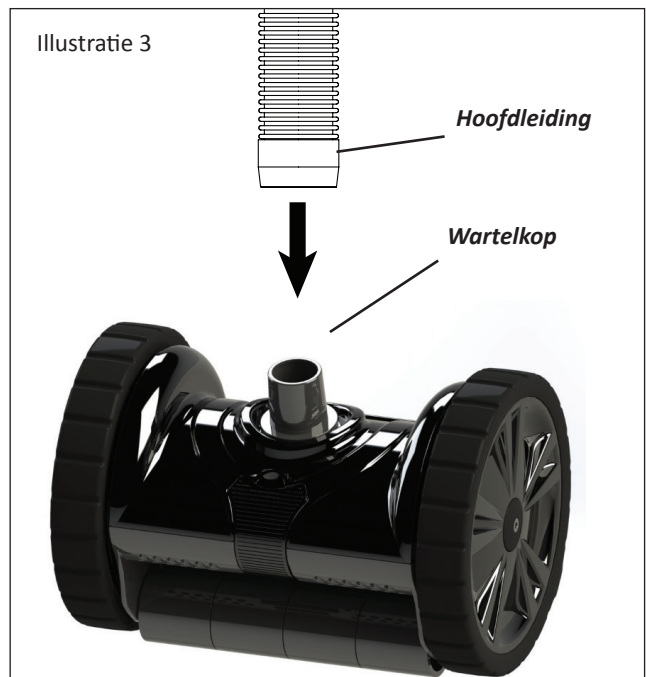
## Assemblage van de leiding

Om de beste resultaten te krijgen en om de goede werking in stand te houden, mag u alleen originele onderdelen en leidingen gebruiken.

1. Om de leidingsecties met elkaar te verbinden, dompelt u de uiteinden in het zwembadwater. Draai daarna de vrouwelijke uiteinden op de mannelijke uiteinden en duw ze vast.



2. Sluit de hoofdleiding op de wartelkop van de zwembadzuiger aan. Zie **Illustratie 3**.
3. De leiding moet reiken van het punt waar ze aangesloten is tot het verste punt van het zwembad, plus één sectie en de hoofdleiding.
4. Breng de leidingvlotter aan op de tweede sectie van de leiding. De vlotter moet 50,8 centimeter (20 inch) boven de zwembadzuiger aangebracht worden. Zie **Illustratie 4**.
5. Controleer of alle verbindingen goed gesloten zijn.
6. De totale lengte van de leiding die nodig is, stemt overeen met de afstand van de plek waar u de leiding op de zuigpoort bevestigt, tot het verste punt in het zwembad, plus één lengte en de hoofdleiding. Raadpleeg **Illustratie 5**.



# DE ZWEMBADZUIGER INSTALLEREN

## Standaardinstallatie

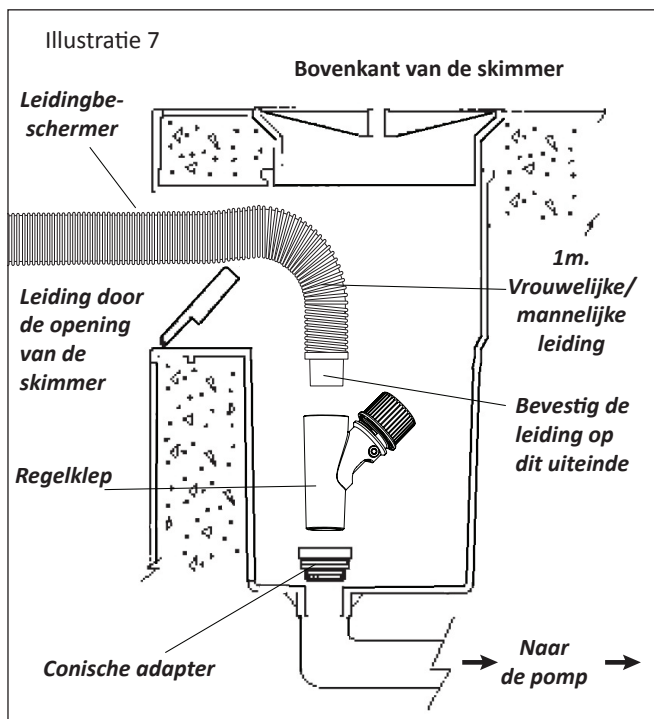
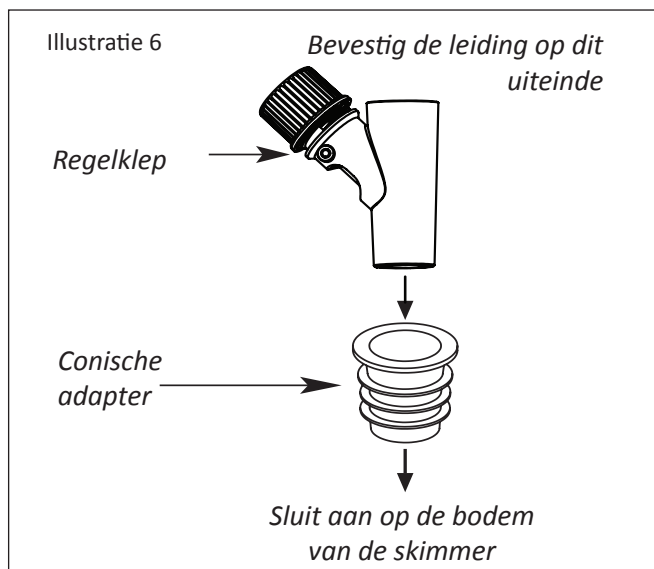
De S5™ Suction Side Pool Cleaner is ontworpen om in uiteenlopende zwembaden te kunnen werken. Dit hoofdstuk behandelt zowel de standaardinstallatie in een skimmer als de optionele installatie met zuigleiding. Bekijk welke methode het nauwst aansluit bij de configuratie van uw zwembad en volg de richtlijnen.

**Opmerking:** afhankelijk van de specifieke kenmerken van uw zwembad, is het mogelijk dat u geen klepkap voor de regelklep nodig hebt.

1. Leg de zwembadpomp stil.
2. Sluit de hoofdafvoer en alle zuigleidingen af, behalve de leiding in de skimmer waar u de zwembadzuiger op aansluit.
3. Neem de mand uit de skimmer weg.
4. Schuif de conische adapter in de zuigaansluiting op de bodem van de skimmer. Zie **Illustratie 7**.
5. Duw de regelklep in de conische adapter. De instelknop van de klep moet naar boven wijzen.
6. Plaats de zwembadzuiger in het zwembad. Draai de zuiger om, van links naar rechts en van voren naar achteren, zodat alle ingesloten lucht eruit ontsnapt. Laat daarna de zwembadzuiger op de bodem van het zwembad zakken. Laat de leiding verticaal in het zwembad zakken tot ze volledig met water gevuld is en alle lucht eruit ontsnapt is.

**Opmerking:** als er lucht in de leidingen van het zwembad gezogen wordt, kan dat er toe leiden dat uw pomp droog draait.

7. Steek het uiteinde van de leiding door de opening van de skimmer en sluit de leiding direct op de regelklep aan. Zie **Illustratie 7**



## Optionele installatie op zuigleiding

### Installatie op zuigleiding met regelklep in skimmer.

We raden ten eerste het gebruik van de regelklep aan om het waterdebiet tussen de S5™ Suction Side Pool Cleaner en de skimmer in evenwicht te brengen. Installeer de regelklep in de skimmer wanneer u de zwembadzuiger op een specifieke zuigleiding vast maakt.

1. Leg de zwembadpomp stil.
2. Sluit de hoofdafvoer en alle zuigleidingen af, behalve de leidingen in de skimmer waar u de zwembadzuiger op aansluit.
3. Draai de muuraansluiting met klikgrendel op het uiteinde van de specifieke zuigleiding (optioneel - indien nog niet geïnstalleerd).

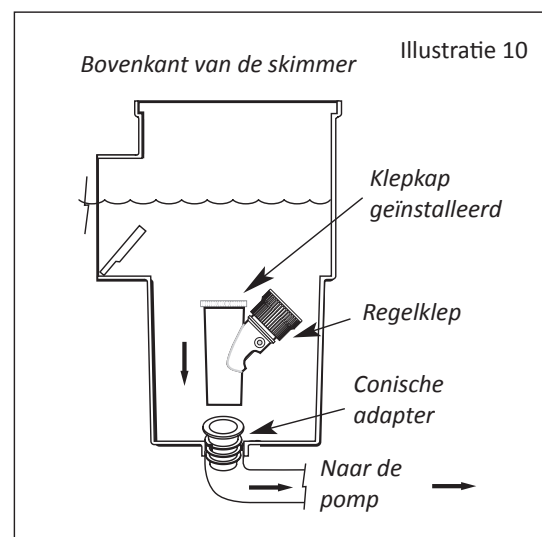
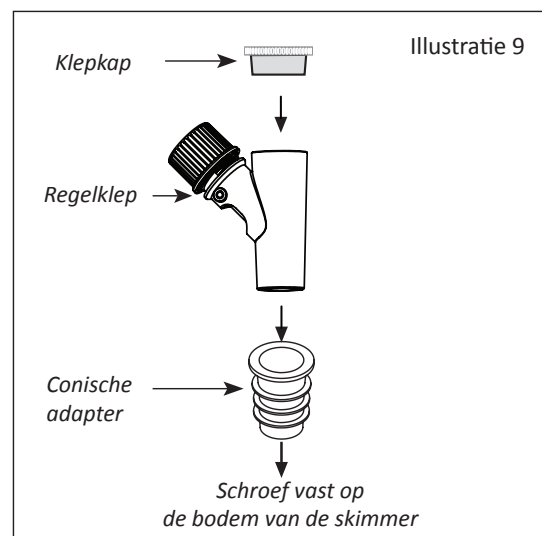
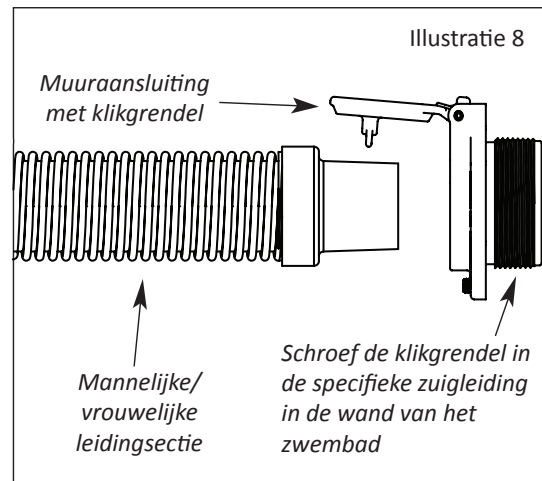
**Opmerking:** Wikkel een dichtingstape twee keer rond de schroefdraad om te vermijden dat de aansluiting los komt.

4. Plaats de zwembadzuiger (met de leiding erop bevestigd) in het zwembad. Draai de zuiger om, van links naar rechts en van voren naar achteren, zodat alle ingesloten lucht eruit ontsnapt. Laat daarna de zwembadzuiger op de bodem van het zwembad zakken. Laat de leiding verticaal in het zwembad zakken tot ze volledig met water gevuld is en alle lucht eruit ontsnapt is.

**Opmerking:** als er lucht in de leidingen van het zwembad gezogen wordt, kan dat er toe leiden dat uw pomp droog draait.

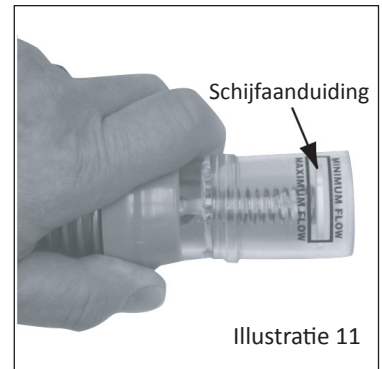
5. Steek het mannelijke uiteinde van de laatste leidingsectie direct in de muuraansluiting met klikgrendel. Zie **Illustratie 8**.
6. Schuif de conische adapter in de zuigaansluiting op de bodem van de skimmer.
7. Om te voorkomen dat er water door de top van de regelklep stroomt, bevestigt u de klepkap op de bovenzijde van de klep (Zie **Illustratie 9**). Dat activeert de regelklep en zorgt ervoor dat de juiste hoeveelheid water (6m<sup>3</sup>/uur) door de zuigleiding en de zwembadzuiger loopt. Zonder de klepkap zullen de regelklep en de zwembadzuiger niet naar behoren werken. Zie **Illustratie 10**.
8. Duw de regelklep in de compressie-adapter.

Nadat u de installatie beëindigd hebt, schakelt u de zwembadpomp in. Laat de pomp enkele minuten draaien zodat alle lucht uit het systeem verwijderd wordt.



## Het debiet naar de zwembadzuiger regelen met de debietkaliber

1. Leg de zwembadpomp stil.
2. Koppel de S5™ Suction Side Cleaner van de hoofdleiding los en sluit de debietkaliber aan.  
**Opmerking:** Zorg ervoor dat de leiding ondergedompeld blijft om geen lucht aan te zuigen.
3. Schakel de zwembadpomp in.
4. Draai de instelknop van de regelklep in wijzerzin om het debiet te verhogen en tegen de wijzers in om het debiet te verminderen. Verstel de knop tot de schijfaanduiding in de debietkaliber tussen "maximum" en "minimum" staat. Zie **Illustratie 11**.
5. Leg de zwembadpomp stil, neem de debietkaliber weg en sluit de zwembadzuiger weer aan.
6. Laat de zwembadzuiger in het zwembad zakken tot hij de bodem van het zwembad raakt.
7. Schakel de zwembadpomp in.



## De snelheid van de zwembadzuiger (t/min) zonder de debietkaliber berekenen

Als de debietkaliber niet met uw zwembadzuiger meegeleverd is, kunt u met de onderstaande stappen de snelheid van de zwembadzuiger berekenen en het toerental volgens de behoefte aanpassen.

1. Terwijl de zwembadzuiger draait, houdt u hem net onder het wateroppervlak.  
**Opmerking:** Zorg ervoor dat u de zwembadzuiger ondergedompeld houdt terwijl de pomp draait. Dat voorkomt dat de zwembadzuiger lucht in het zwembadsysteem aanzuigt.
2. Tel het aantal volledige omwentelingen dat het wiel in één minuut maakt. Het aantal omwentelingen levert u het toerental per minuut op (of t/min). Er is een eenvoudige manier om er zeker van te zijn dat u volledige omwentelingen telt. U telt gewoon het aantal keren dat de wielbobbels de warteleenheid passeert.
3. Om goed te werken moet het toerental van de S5 zwembadzuiger tussen 11 en 13 t/min bedragen.  
Als het toerental lager is dan 11 t/min past u de regelklep aan (draai de instelknop in wijzerzin) en herhaalt u stappen 1-2 tot het toerental zijn optimale niveau bereikt heeft.  
Als het toerental hoger is dan 13 t/min past u de regelklep aan (draai de instelknop tegen de wijzers in) en herhaalt u stappen 1-2 tot het toerental zijn optimale niveau bereikt heeft.

## INSTELLINGEN EN WERKING VAN DE ZWEMBADZUIGER

Na de installatie schakelt u de zwembadpomp in. De S5™ Suction Side Pool Cleaner moet zich met een snelheid van 2,5 tot 3,6 meter per minuut in het zwembad voortbewegen. Controleer elk van de volgende oorspronkelijke instellingen.

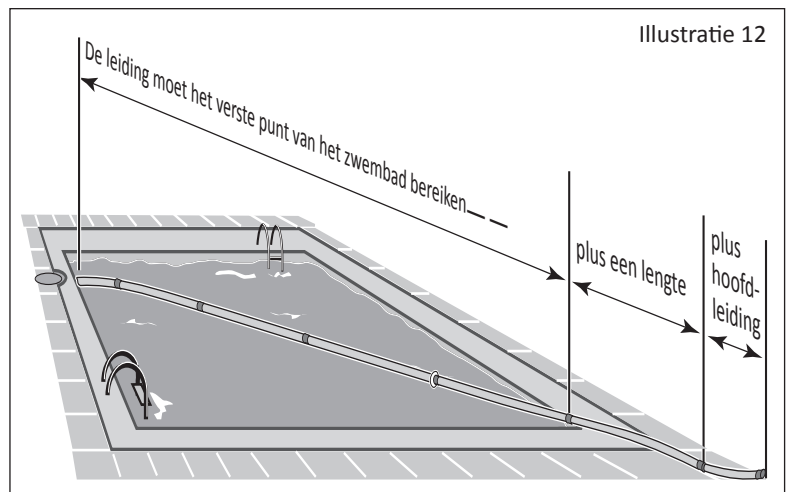
### Lengte van de leiding

**Opmerking:** de pomp moet werken wanneer u de lengte van de leiding controleert. De leiding trekt samen wanneer de pomp werkt en zal langer zijn wanneer de pomp stil ligt.

Terwijl de zwembadzuiger aan het werk is:

1. Plaats de zwembadzuiger op het punt dat het verst verwijderd is van het punt waar hij aangekoppeld is. U kunt een zwembadstok en een borstel gebruiken om de zwembadzuiger op zijn plaats te zetten.
2. De leiding moet lang genoeg zijn om het uiteinde van het zwembad te bereiken, plus een leidingsectie en de hoofdleiding. Zie **Illustratie 12**.
3. Overtollige leidinglengtes neemt u weg uit het midden van de leiding. Daardoor bent u er zeker van dat de positie van de leidingvlotter niet verandert.
4. Bewaar de extra leidingsecties als vervangstukken.

**Opmerking:** Schakel de zwembadpomp uit wanneer u leidingsecties wegneemt of toevoegt.



## Waterstroom van de retourleiding

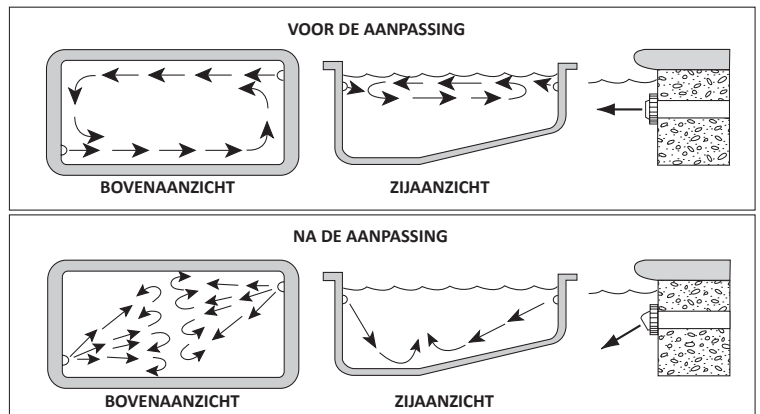
**BELANGRIJK:** de waterstroom die uit uw retourleiding komt, kan tegen de leiding van de S5™ Suction Side Pool Cleaner duwen en de prestaties daarvan beïnvloeden. Die waterstroom kan er voor zorgen dat de zwembadzuiger weg blijft van het deel van het zwembad waar de retourleiding zich bevindt, of kan ervoor zorgen dat uw zwembadzuiger in één gedeelte van het zwembad blijft. Om dat te corrigeren, gebruikt u een verstelbare richtingskop.

### Posities van de richtingskop

Plaats de opening van de richtingskop zo dat de waterstroom van de retourleiding niet met de beweging van de zwembadzuiger interfereert. Probeer verschillende posities uit om te zien welke positie de beste resultaten in uw zwembad oplevert:

- het water langs de zijkant van het zwembad gestuurd (de tegellijn).
- het water naar beneden gestuurd.
- wanneer het water tegen de leiding gestuurd wordt, kan dat helpen om de zwembadzuiger uit de buurt van obstakels zoals trappen en ladders te houden.

Nadat u de verstelbare richtingskop geïnstalleerd hebt, schakelt u de zwembadpomp in. De zwembadzuiger moet over de bodem van het zwembad voortbewegen en het vuil op zijn weg opzuigen.



## ONDERHOUD

De S5™ Suction Side Pool Cleaner vergt haast geen onderhoud. Voer geregeld een visuele controle van uw zwembadzuiger uit om er zeker van te zijn dat:

- de turbine vrij beweegt en niet door vuil geblokkeerd is. Zie "Vuil uit de turbine verwijderen" hieronder.
- de banden niet te versleten zijn. Zie **Illustratie 18** op de volgende pagina.

We raden aan om de zwembadzuiger in uw zwembad te laten, behalve bij chemische schokbehandelingen.

- Tijdens het zwemmen kunt u de zwembadzuiger gemakkelijk loskoppelen en hem naar één kant trekken.
- **Opmerking:** wanneer u de zwembadzuiger opslaat, mag u de leiding niet opwikkelen. Leg de leiding plat op een plek die tegen direct zonlicht beschermd is.

De leiding van de zwembadzuiger is speciaal ontworpen om een optimale prestatie van de zwembadzuiger te garanderen. Als een vervanging nodig is, moet u een echte leiding van Pentair eisen.

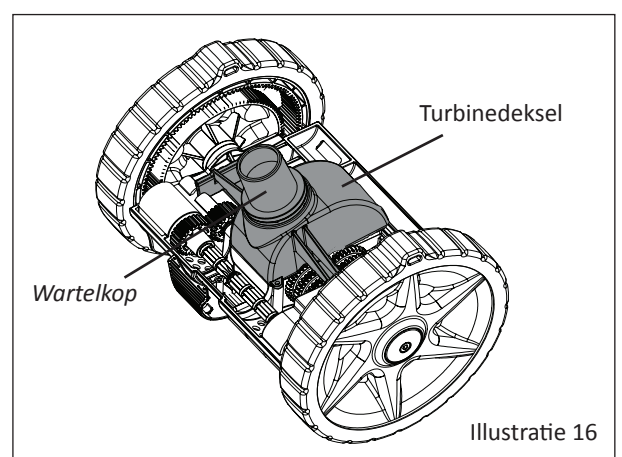
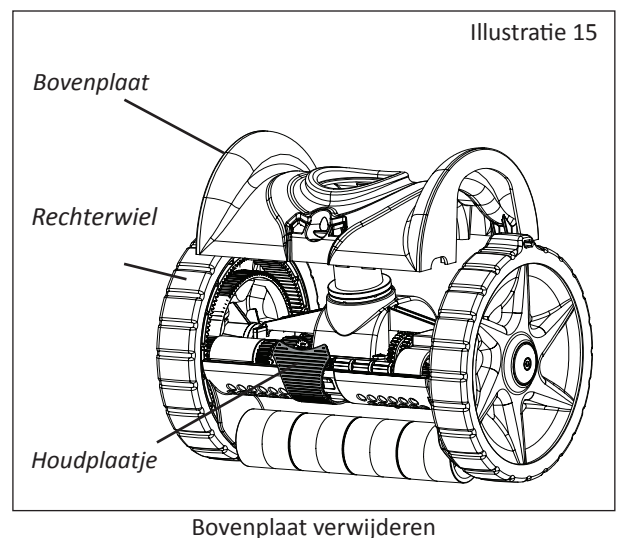
### Vuil uit de turbine verwijderen.

1. Controleer of de zwembadpomp uitgeschakeld is. Neem de zwembadzuiger uit het zwembad en koppel de zwembadzuiger los van de hoofdleiding.
2. Controleer of er geen vuil in de zwembadzuiger opgehoopt zit. Daarvoor plaatst u de zwembadzuiger met het houdplaatje naar u toe en probeert u het rechterwiel naar voren te draaien. Als het wiel soepel draait, is er wellicht geen obstructie. Als er een obstructie is, zal het wiel niet draaien.
3. Plaats de zwembadzuiger op een vlak werkblad. Open het houdplaatje op de voorzijde van de zwembadzuiger door het naar buiten en naar beneden te trekken.

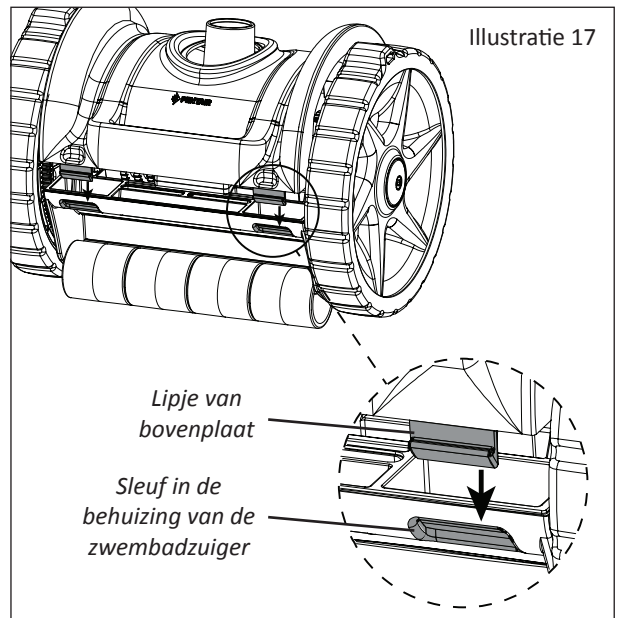
Til de voorzijde van de bovenplaat op en trek die dan krachtig naar voren. Daardoor komt de bovenplaat los van de behuizing van de zwembadzuiger. U kunt nu de bovenplaat recht omhoog van de behuizing weg nemen (zie **Illustratie 15**). Leg de bovenplaat opzij.

**Opmerking:** de bovenplaat is ontworpen om heel precies te passen zodat u er misschien wat moet aan wrikken.

4. Trek de turbineafdekking recht omhoog en weg van de behuizing van de zwembadzuiger. Leg de turbineafdekking opzij. Zie **Illustratie 16**.



5. Verwijder zichtbare obstructies uit de turbine en het turbinedeksel.
6. Breng het turbinedeksel weer aan en oriënteer daarbij de wartelkop naar de voorzijde van de zwembadzuiger. Zie **Illustratie 16**.
7. Onderwerp de rest van de zwembadzuiger aan een visuele inspectie en verwijder eventueel vuil dat in de tandwielen, de aandrijfassen, de wartelkop, enz. zit.
8. Herhaal **stap 2 (het rechterwiel draaien)** om er zeker van te zijn dat de zwembadzuiger soepel draait.
9. Breng de bovenplaat aan boven op de wartelkop.
10. Plaats de lipjes op de achterzijde van de bovenplaat in de sleuven op de achterzijde van de behuizing van de zwembadzuiger (zie **Illustratie 17**). Zodra die lipjes in de sleuven zitten, valt de voorzijde van de bovenplaat op haar plaats.
11. Klik de bovenplaat vast op de behuizing van de zwembadzuiger. Gebruik daarvoor het houdplaatje op de voorzijde van de zwembadzuiger.



Lipje van de bovenplaat en de overeenstemmende sleuven in de behuizing

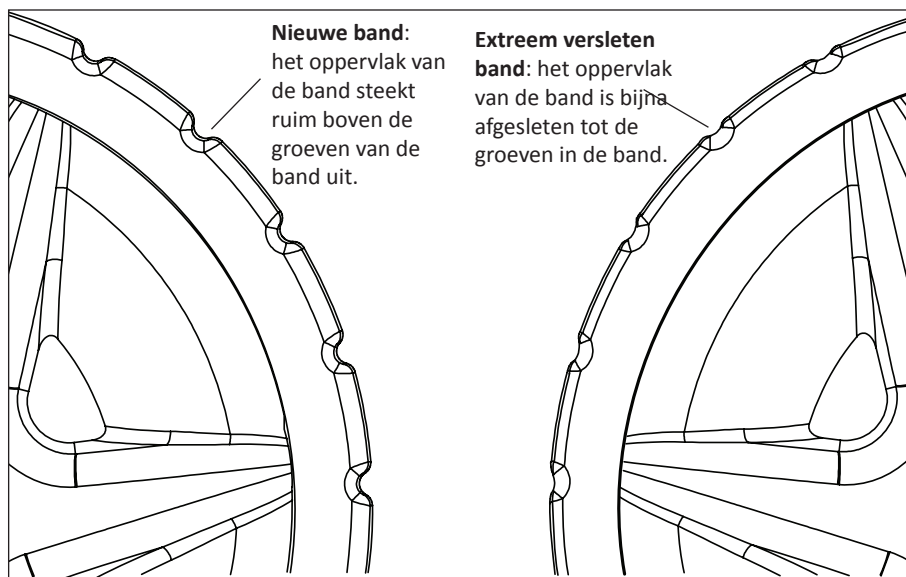
## Banden vervangen

Na een langdurig gebruik kan het nodig zijn om de rubber banden van de S5™ Suction Side Pool Cleaner te vervangen. Wanneer het bandoppervlak tot in de groeven van de band versleten is, moet de band vervangen worden. Zie **Illustratie 18**.

### Om de band van de zwembadzuiger weg te nemen:

1. Schakel de zwembadpomp uit en neem de zwembadzuiger uit het zwembad.
2. Koppel de hoofdleiding los van de zwembadzuiger
3. Leg de zwembadzuiger op een vlakke werktafel en trek de band van de velg, van boven naar beneden.

**Opmerking:** Neem de band met de hand weg. Wanneer u gereedschap of andere voorwerpen (schroevendraaier, Allen-sleutel, enz.) gebruikt om de band te verwijderen, kunt u de velg beschadigen.



Illustratie 18: vergelijking van bandslijtage

### De vervangband aanbrengen:

1. Leg de zwembadzuiger op een vlakke werktafel en leg het bovenste deel van de rubber band op de bovenkant van de velg. Controleer of de achterste lip van de band vlak op de binnenzijde van de velg ligt.

**Opmerking:** breng de band met de hand weer aan. Wanneer u gereedschap of andere voorwerpen (schroevendraaier, Allen-sleutel, enz.) gebruikt om de band aan te brengen, kunt u de velg beschadigen.

2. Trek de onderzijde van de band over de onderzijde van de velg. Controleer of de achterste lip van de band vlak op de binnenzijde van de velg ligt.
3. Vouw de achterste lip van de band tegen de rug van de velg, langs de hele omtrek van de velg. De band moet vlak op de bovenzijde van de velg liggen.

## PROBLEMEN OPLOSSEN

Wegens de individuele kenmerken van uw zwembad kan het nodig zijn om de instellingen van de S5™ Suction Side Pool Cleaner aan te passen om de beste prestaties te verkrijgen. Gebruik de volgende informatie om de mogelijke problemen op te lossen.

| PROBLEEM  | CORRIGERENDE MAATREGEL  |
|---|---|
| De zwembadzuiger beweegt niet of beweegt te traag.                                    | <p>Regel het debiet met de bijgevoegde debietkaliber. Als u geen debietkaliber hebt, kunt u het toerental van de zwembadzuiger berekenen en indien nodig het debiet met de regelklep aanpassen.</p> <p>Controleer of er geen vuil in de zwembadzuiger zelf zit.</p> <p>Controleer of de pomp niet droog draait. Controleer of het systeem geen lekken vertoont waardoor de pomp onvoldoende water aanzuigt.</p> <p>Het debiet doorheen het systeem is te laag. Een terugspoeling van de filter kan nodig zijn.</p> <p>Controleer of de hoofdafvoer en alle zuigleidingen afgesloten zijn, behalve de zuigleiding waarop de zwembadzuiger aangesloten is.</p> <p>Controleer op verstoppingen in het systeem (bijv. vuil in de filter, de pompzeef of het pompwiel).</p> <p>De zwembadpomp en het filtersysteem kunnen te klein zijn om een voldoende waterdebiet te creëren. Raadpleeg uw zwembadexpert.</p> |
| Het rechterwiel van de zwembadzuiger draait niet wanneer u het met de hand beweegt.   | Controleer op verstoppingen in de zwembadzuiger zelf.   |
| De zwembadzuiger blijft langs één kant van het zwembad.                               | <p>Regel het debiet met de bijgevoegde debietkaliber. Als u geen debietkaliber hebt, kunt u het toerental van de zwembadzuiger berekenen en indien nodig het debiet met de regelklep aanpassen.</p> <p>Controleer de waterstroom van de retourleiding en verander indien nodig de richting ervan met de richtingsknop.</p> <p>Controleer of de leiding lang genoeg is om het verste punt in het zwembad te bereiken.</p> <p>Controleer de positie van de leidingvlotter. De positie van de vlotter kan verkeerd zijn. Zorg ervoor dat de wartelkop (op de bovenzijde van de zwembadzuiger) soepel roteert. Als dat niet het geval is, kan de wartelkop vuil zijn en moet u hem schoonmaken.</p>   |
| De zwembadzuiger klimt te hoog op de wanden of klimt uit het zwembad.                 | Regel het debiet met de bijgevoegde debietkaliber. Als u geen debietkaliber hebt, kunt u het toerental van de zwembadzuiger berekenen en indien nodig het debiet met de regelklep aanpassen.  |
| De zwembadzuiger klimt niet op de wanden van het zwembad.                             | <p>Controleer of de banden van de zwembadzuiger niet al te zeer versleten zijn. Versleten banden bieden niet de grip die nodig is opdat de zwembadzuiger tegen de wanden van uw zwembad op zou kunnen klimmen.</p> <p>Regel het debiet met de bijgevoegde debietkaliber. Als u geen debietkaliber hebt, kunt u het toerental van de zwembadzuiger berekenen en indien nodig het debiet met de regelklep aanpassen.</p> <p>Controleer of de hoofdleiding in de correcte positie aangebracht is.</p> <p>Controleer de positie van de leidingvlotter. De positie van de vlotter kan verkeerd zijn.</p>   |
| De zwembadzuiger blijft op de hoofdafvoer.  | <p>Controleer of de hoofdafvoer afgesloten is. De hulp van een zwembadexpert kan nodig zijn.</p> <p>Controleer of er een rooster voor de hoofdafvoer geïnstalleerd is.</p>  |
| De zwembadzuiger valt op zijn zijkant en doet er te lang over om weer recht te komen. | <p>Controleer de positie van de leidingvlotter. De positie van de vlotter kan verkeerd zijn.</p> <p>Controleer of de hoofdleiding in de correcte positie aangebracht is.</p> <p>Controleer of de leiding lang genoeg is om het verste punt in het zwembad te bereiken.</p> <p>Het water ontsnapt op zulk een manier uit de richtingsknop van de retourleiding dat het de leiding van de zwembadzuiger wegduwt.</p>  |

**BEPERKTE GARANTIE: 2 JAAR**  
**MEER DETAILS: [www.astralpool.com](http://www.astralpool.com)**

## Assistance clientèle

Website : [www.astralpool.com](http://www.astralpool.com)  
E-mail : [info@astralpool.com](mailto:info@astralpool.com)

### Déclaration de conformité

Nous déclarons, sous notre seule responsabilité, que le produit identifié dans cette déclaration et sur lequel porte cette déclaration est conforme aux exigences de protection de la Directive du Conseil 2006/42/EEG.



Le fabricant, Fluidra, est en droit de modifier les produits sans avis préalable tant que leurs caractéristiques n'en sont pas réellement altérées.

© 2015 Fluidra S.A. Tous droits réservés. Ce document peut être modifié sans avis préalable.

Marques déposées et clauses de non-responsabilité : tous les logos et marques déposées de AstralPool sont la propriété de Fluidra S.A. S5™ et AstralPool® sont des marques déposées de Fluidra S.A. ou de ses sociétés affiliées à Espagne ou dans d'autres pays. Sauf mention contraire, les noms et marques de tiers qui peuvent être utilisés dans ce document ne signifient aucunement une quelconque adhésion entre les propriétaires de ces noms et marques et Fluidra S.A. Ces noms et ces marques peuvent être des marques de commerce ou des marques déposées de ces tiers.

**⚠ DANGER** Ne pas suivre les instructions contenues dans ce manuel peut causer des effets néfastes sur la santé ou même des blessures graves, voire la mort. Ne pas suivre les instructions contenues dans ce manuel invalidera dans tous les cas les garanties et exonèrera le fabricant de toute responsabilité. LES INSTALLATEURS, OPÉRATEURS ET PROPRIÉTAIRES DE PISCINE DOIVENT LIRE CES AVERTISSEMENTS ET TOUTES LES CONSIGNES DU MANUEL DU PROPRIÉTAIRE AVANT D'UTILISER LE NETTOYEUR. CES AVERTISSEMENTS ET LE MANUEL DU PROPRIÉTAIRE DOIVENT ÊTRE LAISSÉS AU PROPRIÉTAIRE.

## AVERTISSEMENTS IMPORTANTS ET CONSIGNES DE SÉCURITÉ



### Avis important :

**⚠ AVERTISSEMENT** À l'attention de l'installateur : ce guide contient des informations importantes concernant l'installation, le fonctionnement et l'utilisation sécuritaire de ce produit. Cette information doit être remise au propriétaire ou à l'utilisateur de cet équipement après l'installation du nettoyeur de piscine.

À l'attention de l'utilisateur : ce manuel contient des informations importantes qui vous aideront à utiliser ce nettoyeur de piscine et à en assurer l'entretien. Veuillez le conserver pour référence ultérieure. Consultez AstralPool si vous avez des questions concernant ce matériel.

Avant d'installer ce produit, lire et suivre toutes les notices d'avertissement et instructions qui sont incluses. Toute effraction quant à ces consignes de sécurité et ces instructions peut causer des blessures graves ou mortelles, ou des dommages matériels. Visitez [www.astralpool.com](http://www.astralpool.com) pour obtenir gratuitement des copies supplémentaires de ces instructions.

### Information pour le client et la sécurité

Ce nettoyeur de piscine est conçu et fabriqué pour servir pendant de nombreuses années de façon sûre et fiable si son installation, son fonctionnement et son entretien respectent les informations contenues dans ce manuel. Dans tout ce manuel, des avertissements de sécurité et des avis de précaution sont identifiés par le symbole « ⚠ ». Assurez-vous de lire tous les avertissements et avis de précaution et de vous y conformer.

**⚠ AVERTISSEMENT** Arrêtez la pompe avant de nettoyer l'appareil. Ne permettez pas l'utilisation de la piscine lors du fonctionnement du nettoyeur. Le tuyau peut faire trébucher les nageurs ou s'emmêler autour d'eux, ce qui peut causer une noyade.

**⚠ ATTENTION** Les pièces en mouvement peuvent blesser les mains ou les doigts. Arrêtez la pompe avant de nettoyer le nettoyeur.



## Informations d'installation générales

### Liste de vérification avant l'installation

Avant d'installer votre nettoyeur, réviser et comprendre tous les avertissements et l'information de sécurité contenus dans ce guide. Le non respect de ces instructions ou une mauvaise installation du nettoyeur peuvent endommager la finition de la piscine ou la membrane. La plupart des nettoyeurs ne sont pas conçus pour passer du sol au mur lorsque le raccord de piscine est à 90 %. Le nettoyeur peut ne pas pouvoir naviguer sur d'autres structures installées dans la piscine. SOYEZ VIGILANT et supervisez le nettoyeur lors de conditions particulières. Fluidra S.A./AstralPool décline toute responsabilité pour les réparations ou le remplacement de quelconque de ces structures ou composants de la piscine du client.

#### Avant d'installer le nettoyeur dans une piscine munie d'une membrane de vinyle :

Vérifiez soigneusement la membrane pour tout signe de détérioration ou de dommages attribuables à l'âge, aux produits chimiques, à des dommages de la paroi, etc. Si vous constatez des dommages, demandez à un professionnel de piscines qualifié d'effectuer toutes les réparations nécessaires. Aussi, s'il y a des cailloux, des racines ou autres sous la membrane, retirez-les avant d'installer le nettoyeur.

#### Avant d'installer le nettoyeur dans une piscine de gunité ou une piscine carrelée en partie ou en totalité :

Assurez-vous du bon état de la finition de la piscine. Les tâches, traces, craquelures ou le délamination pourraient être accentués. Réparez les carreaux qui se détachent et revissez les anneaux des lumières.

#### Avant d'installer le nettoyeur, nettoyez votre système de filtration :

Assurez-vous que vous avez nettoyé le filtre, y compris le lavage à contre-courant, le rinçage et le vidage de tous les paniers. Un système propre est nécessaire pour le fonctionnement approprié et la portée du nettoyeur.

#### Avant d'installer le nettoyeur, familiarisez-vous avec la couverture du nettoyeur :

Le nettoyeur est conçu pour débarrasser votre piscine de débris dans une période de 4 à 6 heures environ. Cela peut prendre moins de temps, selon la dimension de la piscine. Le nettoyeur n'est pas conçu pour nettoyer automatiquement des marches ou des sorties de piscine ou pour fonctionner sous une toile solaire. Le nettoyeur peut se retrouver coincé dans ces zones et peut endommager la finition de la piscine ou la membrane vinyle. Fluidra S.A./AstralPool décline toute responsabilité pour les réparations ou le remplacement de quelconque de ces structures ou composants de la piscine du client. Il n'est pas conçu non plus pour le nettoyage initial d'une piscine neuve ou pour l'ouverture de votre piscine pour la saison.

#### APRÈS l'installation du nettoyeur, assurez-vous qu'il fonctionne correctement :

Le nettoyeur peut avoir besoin de quelques réglages mineurs pour s'assurer qu'il fonctionne correctement afin qu'il n'y ait pas de dommages au revêtement de la piscine. Certains motifs de membrane de vinyle sont particulièrement susceptibles à l'usure de surface, à l'élimination du motif ou de l'encre par friction, ou à de sérieuses éraflures du motif causées par des objets entrant en contact avec la surface du vinyle, y compris les nettoyeurs automatiques de piscines. Fluidra S.A./AstralPool n'est pas responsable de toute élimination du motif, abrasion ou marque sur les membranes de vinyle. Inspectez périodiquement les composants du nettoyeur et la performance du nettoyeur pour vous assurer de son bon fonctionnement. Remplacez et/ou réparez les composants usés ou endommagés. Le non respect de ces instructions ou une mauvaise installation du nettoyeur peuvent endommager le nettoyeur, la finition de la piscine ou la membrane vinyle.

### Conditions générales de garantie limitée

Avant d'installer votre nettoyeur, réviser et comprendre tous les avertissements et l'information de sécurité et de garantie contenus dans ce guide. Le fait de ne pas suivre ces instructions ou une installation incorrecte du nettoyeur peuvent causer des dommages au revêtement de la piscine ou de la membrane de vinyle; Fluidra S.A./AstralPool décline toute responsabilité pour les réparations ou le remplacement de quelconque de ces structures ou composants de la piscine du client.

Garantie limitée : 2 ans.

Plus d'informations : [www.astralpool.com](http://www.astralpool.com)

### Clause de non-responsabilité - À propos de votre piscine et de votre nettoyeur de piscine

Il y a une multitude de facteurs qui contribuent à la durée de vie de votre piscine. Le nettoyeur de piscine est un produit très passif qui n'a aucun impact sur la durée de vie de la piscine.

Veillez noter qu'au fil du temps, la détérioration, la décoloration ou l'effritement de tout revêtement de piscine peuvent être causés séparément par l'âge, un déséquilibre chimique de l'eau de la piscine, une installation incorrecte ou une combinaison de ces facteurs, ainsi que d'autres facteurs. Les nettoyeurs de piscine à aspiration n'arracheront ni ne causeront d'usure à un « bon » revêtement de piscine. En fait, c'est le contraire qui se produit. Le revêtement de piscine finit par causer une usure du nettoyeur.

La même situation s'applique aux piscines creusées avec membrane de vinyle, car les membranes de vinyle sont aussi affectées par l'environnement et des facteurs tels que la chimie de l'eau de la piscine, la lumière du soleil et les environs de la piscine. Donc, avec le temps, le vinyle peut devenir cassant et fragile. De plus, les piscines avec membrane de vinyle sont affectées par la qualité de la main-d'œuvre, la composition et l'installation de la membrane, ainsi que la qualité de la main-d'œuvre et de construction des murs de soutènement et de la base de la piscine. Tous ces facteurs peuvent contribuer à un défaut de la membrane. L'existence de l'un de ces types de conditions dans votre piscine n'est pas causée par l'utilisation ou le fonctionnement du nettoyeur de piscine. Le fabricant décline toute responsabilité pour les réparations ou le remplacement de quelconque de ces structures ou composants de la piscine du client.

Le propriétaire de la piscine doit assumer l'entière responsabilité pour l'état et l'entretien de la surface de la piscine, de l'eau et de la terrasse.

Avant l'installation du nettoyeur, veuillez prendre le temps de noter son numéro de série. Vous devrez fournir ce numéro si vous contactez le Service du soutien technique.

NUMÉRO DE SÉRIE \_\_\_\_\_

# PRÉPARATION DE LA PISCINE

## Préparation de la piscine

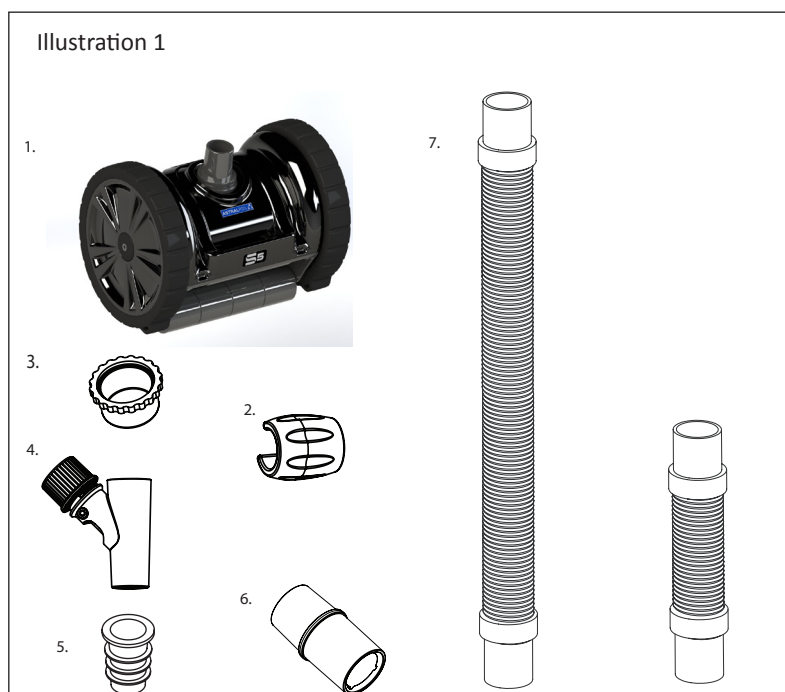
Avant d'assembler et d'installer le nettoyeur de piscine à aspiration S5™ et, votre piscine doit être propre et exempte d'algues afin de ne pas réduire la traction du nettoyeur. Si nécessaire, effectuer les préparations suivantes avant de procéder :

1. S'assurer que l'eau de la piscine est chimiquement équilibrée.
2. Brosser les parois de la piscine et attendre que les particules tombent au fond.
3. Passer l'aspirateur manuellement partout.
4. Nettoyer le filtre et le panier-filtre de la pompe.

## Composants du nettoyeur

Sortir le nettoyeur et toutes les pièces de la boîte. Vérifier que toutes les pièces sont incluses.

1. Boîtier du nettoyeur S5
2. Flotteur pour tuyau
3. Capuchon de vanne
4. Soupape de régulation
5. Adaptateur conique
6. Débitmètre
7. Ensemble de tuyaux – 11 sections  
---10 tuyaux mâle/femelle standard de 1 m  
---1 première section de tuyau



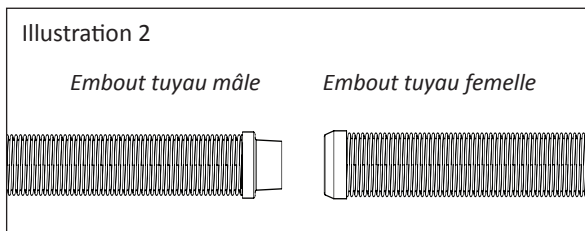
# ASSEMBLAGE DU NETTOYEUR

Le boîtier du nettoyeur de piscine à aspiration S5™ est expédié en une seule pièce, permettant ainsi d'assembler le nettoyeur de façon simple et rapide.

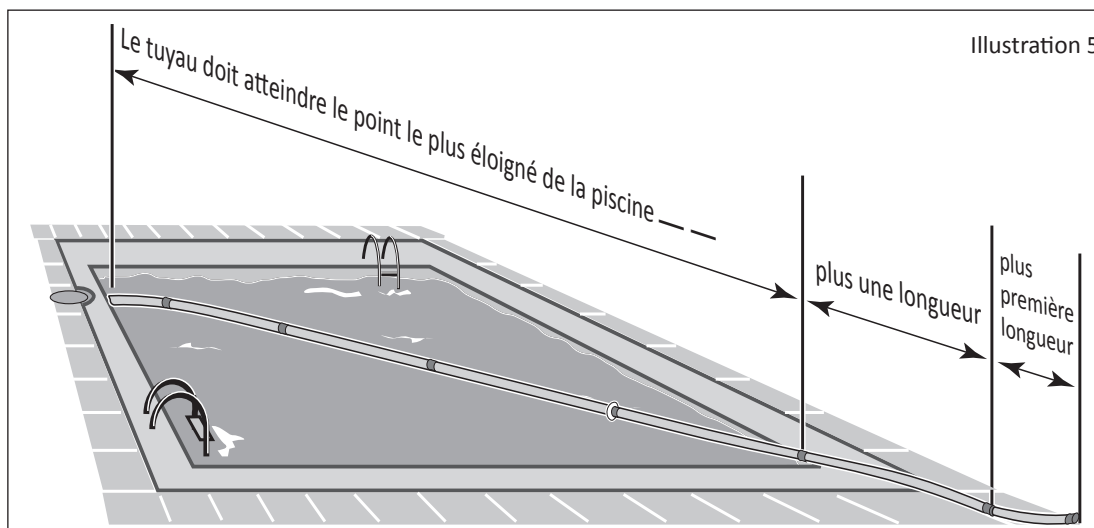
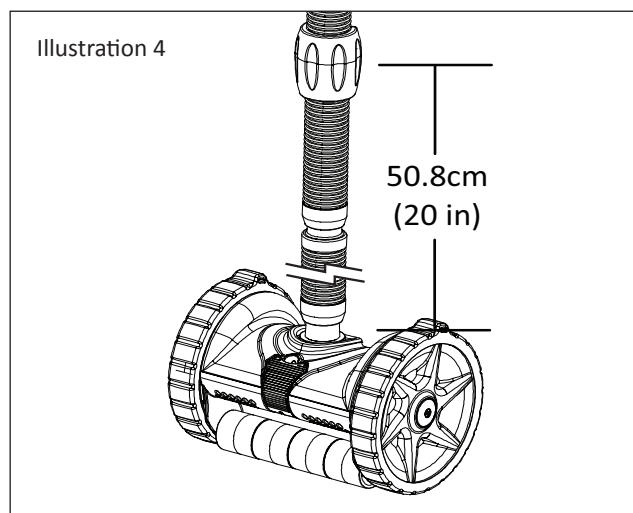
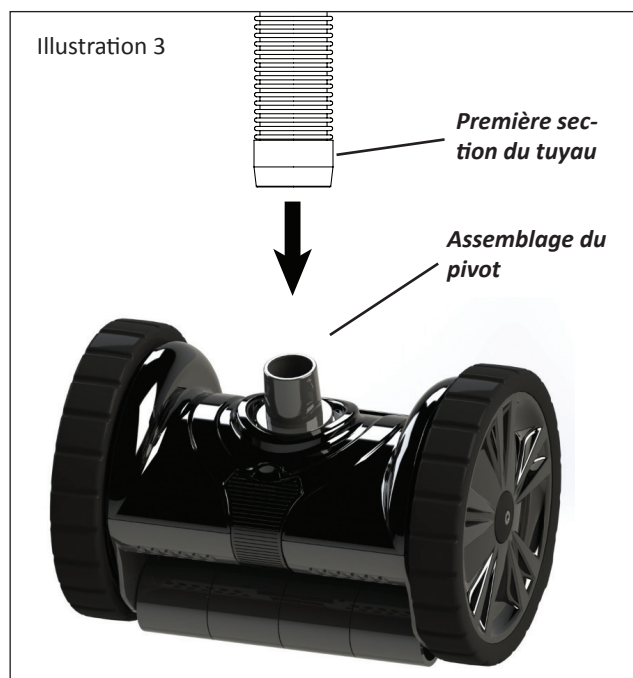
## Assemblage des tuyaux

Pour obtenir de meilleurs résultats et afin de maintenir un bon fonctionnement, n'utilisez que des pièces et des tuyaux originaux.

1. Pour raccorder les sections de tuyau, mouiller les extrémités dans l'eau de la piscine, puis tourner la partie femelle en appuyant pour la raccorder à la partie mâle.



2. Raccorder la première section de tuyau au raccord articulé du nettoyeur. Voir l'illustration 3.
3. Le tuyau devrait s'étendre de l'endroit où est raccordé le nettoyeur au point le plus éloigné de la piscine, avec une section supplémentaire et la première section de tuyau.
4. Installer le flotteur pour tuyau sur la deuxième longueur du tuyau. Le flotteur doit être installé à 50,8 centimètres (20 pouces) au-dessus du nettoyeur. Voir l'illustration 4.
5. S'assurer que tous les raccords sont bien serrés.
6. La longueur totale de tuyau nécessaire sera déterminée par la distance séparant le point où vous avez attaché le tuyau au port d'aspiration du point le plus éloigné dans la piscine, plus une section supplémentaire et la première section de tuyau. Se référer à l'illustration 5.



# INSTALLATION DU NETTOYEUR

## Installation standard

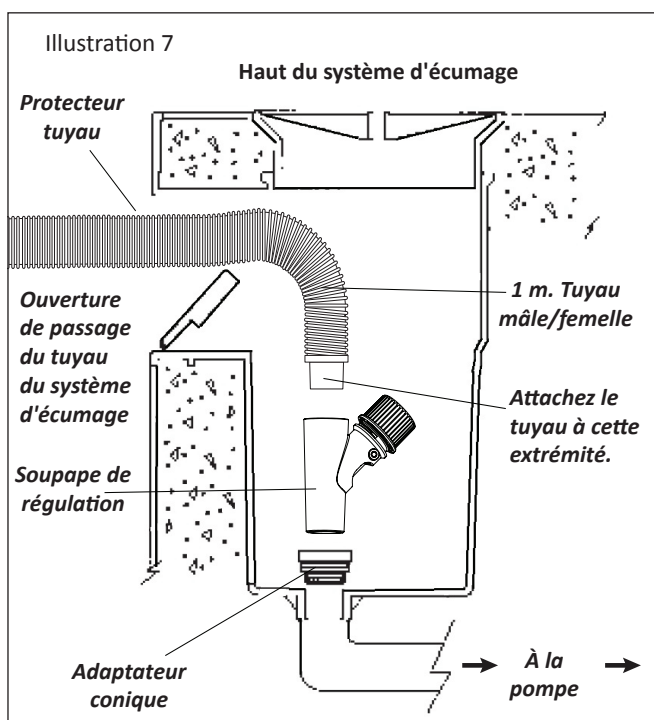
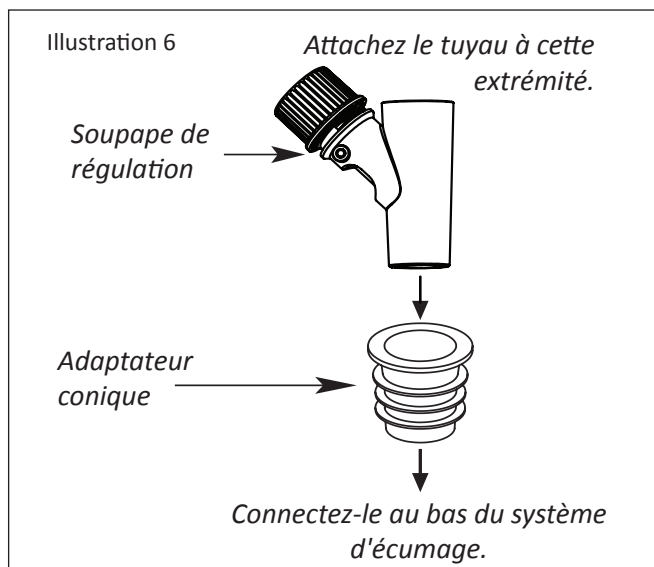
Le nettoyeur de piscine à aspiration S5™ est conçu pour fonctionner dans une variété de piscines. Cette section décrit l'installation standard dans une écumoire et l'installation à une conduite d'aspiration optionnelle. Choisir la méthode adéquate pour la configuration de votre piscine et suivre les instructions.

**Remarque :** en fonction des caractéristiques de votre piscine, le capuchon de la soupape de régulation automatique pourrait ne pas être nécessaire.

1. Éteindre la pompe de la piscine.
2. Fermer la conduite d'évacuation principale et toutes les conduites d'aspiration, sauf la conduite de l'écumoire à laquelle le nettoyeur doit être raccordé.
3. Retirer le panier de l'écumoire.
4. Insérer l'adaptateur conique sur le raccord de la ligne d'aspiration au fond de l'écumoire. Voir l'**illustration 7**.
5. Insérer la soupape de régulation dans l'adaptateur conique. La molette de réglage de la soupape devrait être dirigée vers le haut.
6. Placer le nettoyeur dans la piscine. Tourner le nettoyeur d'un côté à l'autre et d'avant en arrière afin d'évacuer l'air emprisonné, ce qui permet au nettoyeur de couler jusqu'au fond de la piscine. Continuer de pousser le tuyau verticalement vers le bas dans la piscine jusqu'à ce qu'il soit complètement rempli d'eau et exempt d'air.

**Remarque :** si de l'air entre dans les canalisations de la piscine, cela peut causer le désamorçage de la pompe.

7. Insérer l'extrémité du tuyau par l'ouverture de l'écumoire et le raccorder directement sur la soupape de régulation. Voir l'**illustration 7**.



## Installation sur une conduite d'aspiration optionnelle

Installation sur une conduite d'aspiration avec soupape de régulation dans l'écumoire.

Nous recommandons fortement l'emploi d'une soupape de régulation automatique pour équilibrer le débit d'eau entre le nettoyeur de piscine à aspiration S5™ et l'écumoire. Installer la soupape de régulation dans l'écumoire au moment de raccorder le nettoyeur à la conduite d'aspiration dédiée.

1. Éteindre la pompe de la piscine.
2. Fermer la conduite d'évacuation principale et toutes les conduites d'aspiration, sauf les conduites de l'écumoire et de la conduite d'aspiration à laquelle le nettoyeur sera raccordé.
3. Passer le connecteur mural à ressort dans l'ouverture de la conduite d'aspiration dédiée (en option - si non équipé).

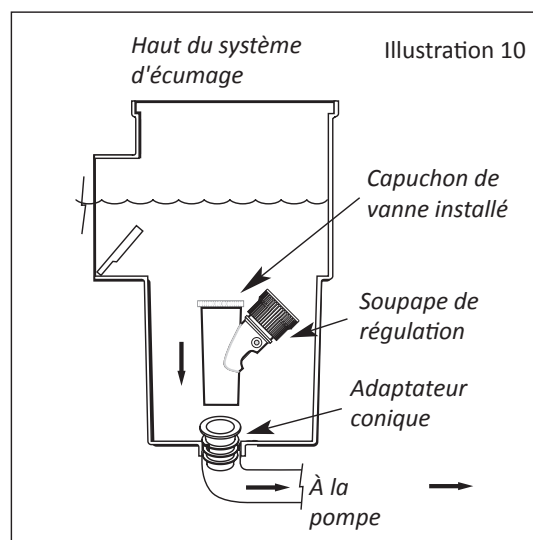
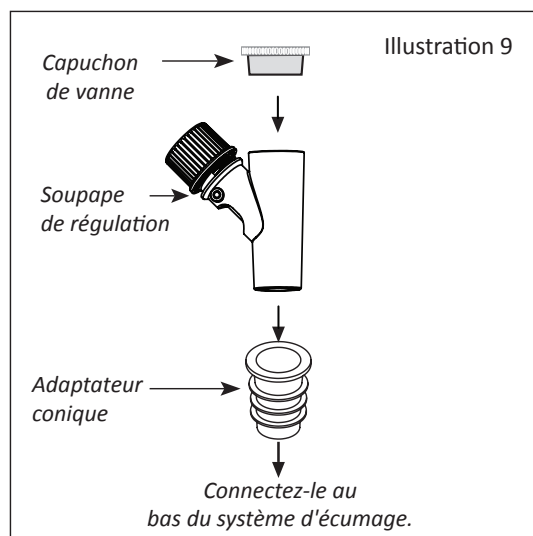
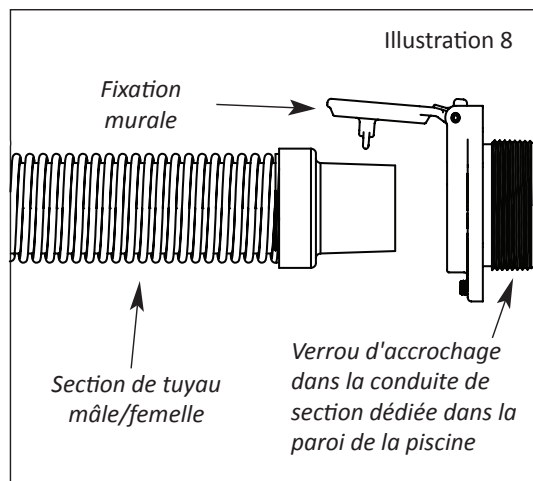
**Remarque** : faire deux tours avec du ruban d'étanchéité autour des parties filetées pour faciliter le dévissage.

4. Placer le nettoyeur (avec le tuyau attaché) dans la piscine. Tourner le nettoyeur d'un côté à l'autre et d'avant en arrière afin d'évacuer l'air emprisonné, ce qui permet au nettoyeur de couler jusqu'au fond de la piscine. Continuer de pousser le tuyau verticalement vers le bas dans la piscine jusqu'à ce qu'il soit complètement rempli d'eau et exempt d'air.

**Remarque** : si de l'air entre dans les canalisations de la piscine, cela peut causer le désamorçage de la pompe.

5. Insérer l'extrémité mâle de la dernière section de tuyau directement dans le connecteur mural à ressort. Voir l'illustration 8.
6. Insérer l'adaptateur conique sur le raccord de la ligne d'aspiration au fond de l'écumoire.
7. Pour empêcher l'eau de circuler par la partie supérieure de la soupape de régulation, installer le capuchon sur la partie supérieure de la soupape (voir illustration 9). Cela activera la soupape de régulation et assurera qu'un débit d'eau adéquat ( $6\text{m}^3/\text{h}$ ) circule dans la conduite d'aspiration et le nettoyeur. Sans le capuchon de la soupape, la soupape de régulation et le nettoyeur ne fonctionneront pas correctement. Voir l'illustration 10.
8. Appuyer sur la soupape de régulation pour l'insérer dans l'adaptateur à compression.

À la fin de l'installation, allumer la pompe de la piscine. Laisser la pompe tourner quelques minutes afin de s'assurer que le système est exempt d'air.



## Réglage de l'écoulement du nettoyeur à l'aide du débitmètre

1. Éteindre la pompe de la piscine.
2. Débrancher le nettoyeur à aspiration S5™ de la première section de tuyau et brancher le débitmètre.  
**Remarque** : s'assurer que le tuyau reste submergé afin d'éviter les aspirations d'air.
3. Allumer la pompe.
4. Tourner la molette de réglage du régulateur dans le sens horaire pour augmenter l'écoulement ou dans le sens antihoraire pour le diminuer, jusqu'à ce que le disque indicateur du débitmètre se place entre les écoulements « Maximum » et « Minimum ». Voir l'**illustration 11**.
5. Éteindre la pompe, retirer le débitmètre et rebrancher le nettoyeur.
6. Placer le nettoyeur dans la piscine et le laisser couler jusqu'au fond de la piscine.
7. Activer la pompe de la piscine.

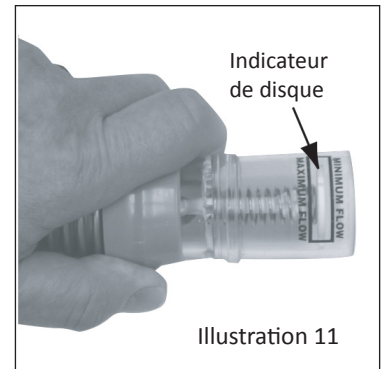


Illustration 11

## Calcul de la vitesse du nettoyeur (tr/min) sans le débitmètre

Si le débitmètre n'était pas inclus d'origine avec votre nettoyeur, les étapes suivantes vous permettront de calculer la vitesse du nettoyeur et d'ajuster les tr/min au besoin.

1. Lorsque le nettoyeur fonctionne, remonter le nettoyeur juste en dessous de la surface de l'eau de la piscine.  
**Remarque** : il faut s'assurer que le nettoyeur reste submergé lorsque la pompe fonctionne. Cela évite au nettoyeur d'aspirer de l'air dans le système de la piscine.
2. Compter le nombre de tours complets de la marque noire sur la roue pendant une minute. Le nombre de tours vous indiquera les tours par minute, ou tr/min. Pour s'assurer de compter les tours complets, il suffit de compter le nombre de fois que la bosse de la roue passe par la partie pivotante.
3. Lorsque le nettoyeur S5 fonctionne correctement, sa vitesse est de 11 à 13 tr/min.

Si les tr/min sont inférieurs à 11, ajuster la soupape du régulateur (faire tourner la molette de réglage dans le sens horaire) et répéter les étapes 1 et 2 jusqu'à ce que les tr/min reviennent dans les limites de valeurs optimales.

Si les tr/min sont supérieurs à 13, ajuster la soupape du régulateur (faire tourner la molette de réglage dans le sens antihoraire) et répéter les étapes 1 et 2 jusqu'à ce que les tr/min reviennent dans les limites de valeurs optimales.

## RÉGLAGES ET FONCTIONNEMENT DU NETTOYEUR

Après l'installation, allumer la pompe de la piscine. Le nettoyeur de piscine à aspiration S5™ devrait se déplacer dans la piscine à une vitesse de 2,5 à 3,6 mètres par minute. Il faut s'assurer de vérifier chacun des réglages initiaux suivants.

### Longueur du tuyau

**Remarque** : la pompe doit être allumée au moment de vérifier la longueur du tuyau. Le tuyau se contracte quand la pompe est en marche et s'allonge quand la pompe est éteinte.

Quand le nettoyeur est en marche :

1. Positionner le nettoyeur dans la piscine le plus loin possible de l'endroit où il est raccordé. Utiliser une perche et une brosse pour positionner le nettoyeur facilement dans la piscine.
2. Le tuyau doit être suffisamment long pour atteindre l'extrémité de la piscine, avec une section de tuyau supplémentaire et la première section de tuyau. Voir l'**illustration 12**.
3. Retirer tout surplus de longueur du centre du tuyau. Cela permettra de ne pas altérer la position du flotteur pour tuyau.
4. Conserver les sections de tuyau en trop comme pièces de rechange.

**Remarque** : éteindre la pompe de la piscine au moment d'ajouter ou de retirer des sections de tuyau.

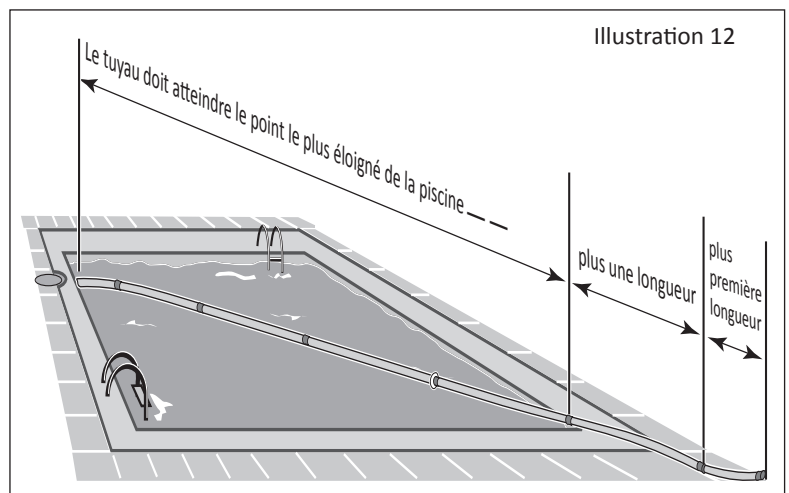


Illustration 12

## Conduite de retour du débit d'eau

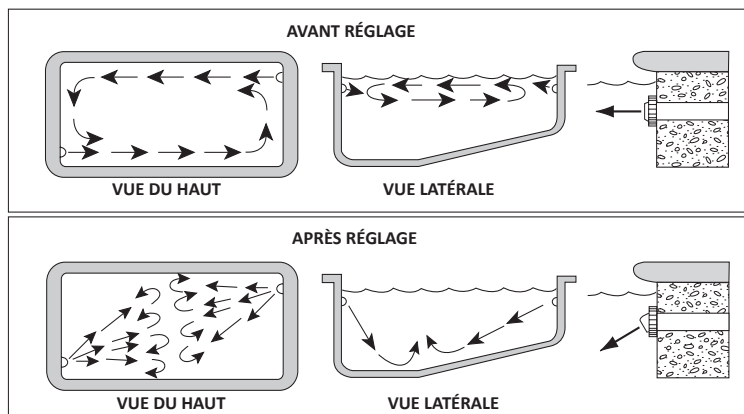
**IMPORTANT :** le débit d'eau provenant de votre conduite de refoulement peut pousser le tuyau du nettoyeur de piscine à aspiration S5™ et influencer sur son rendement. Cela peut forcer le nettoyeur à s'éloigner du bord de la piscine où se situe la conduite de refoulement ou à rester dans une section particulière de la piscine. Pour éviter ce problème, utiliser un déviateur à rotule.

### Positions du déviateur à rotule

Positionner l'ouverture du déviateur afin de rediriger l'eau de la conduite de refoulement pour qu'elle n'influe pas sur le mouvement du nettoyeur. Essayer différentes positions pour trouver celle qui fonctionne le mieux dans votre piscine :

- courant dirigé le long de la paroi (ligne de drain).
- courant dirigé vers le bas.
- courant dirigé contre le tuyau pour aider à détourner le nettoyeur d'obstacles comme des marches ou une échelle.

Après l'installation du déviateur à rotule, allumer la pompe de la piscine. Le nettoyeur devrait commencer à se déplacer au fond de la piscine en aspirant la saleté sur son chemin.



## ENTRETIEN

Le nettoyeur de piscine à aspiration S5™ ne nécessite presque aucun entretien. Inspecter visuellement le nettoyeur de temps à autre pour s'assurer que :

- La turbine bouge librement et n'est pas bloquée par des débris. Voir la section « Retrait des débris logés dans la turbine » ci-dessous.
- Les pneus ne sont pas excessivement usés. Voir l'illustration 18 à la page suivante.

Nous recommandons de toujours laisser le nettoyeur dans la piscine, sauf pendant un traitement chimique.

- Pendant l'utilisation de la piscine, il est facile de débrancher le nettoyeur et de le mettre de côté.
- **Remarque :** ne pas enrouler le tuyau pour entreposer le nettoyeur. Placer le tuyau à plat dans une zone protégée des rayons du soleil.

Le tuyau de ce nettoyeur est conçu spécifiquement pour assurer une performance optimale. S'il doit être remplacé, demander un tuyau de nettoyeur Pentair original.

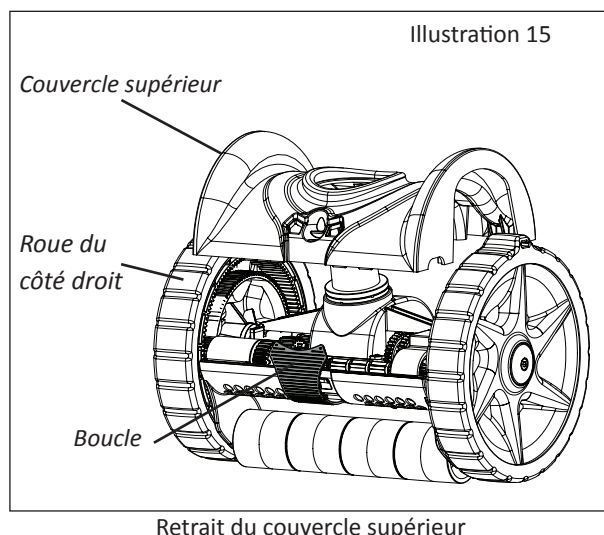
### Retrait des débris logés dans la turbine

1. S'assurer que la pompe de la piscine est éteinte. Sortir le nettoyeur de la piscine et le débrancher de la première section de tuyau.
2. Vérifier que rien n'obstrue l'intérieur du nettoyeur. Il suffit pour cela de positionner le nettoyeur avec la boucle face à vous et de tenter de tourner la roue droite vers l'avant. Si la roue tourne bien, il n'y a probablement pas d'obstruction. Si elle ne tourne pas bien, il y a une obstruction.
3. Placer le nettoyeur sur une surface de travail plane. Ouvrir la boucle située sur l'avant du nettoyeur en la tirant vers l'extérieur et vers le bas.

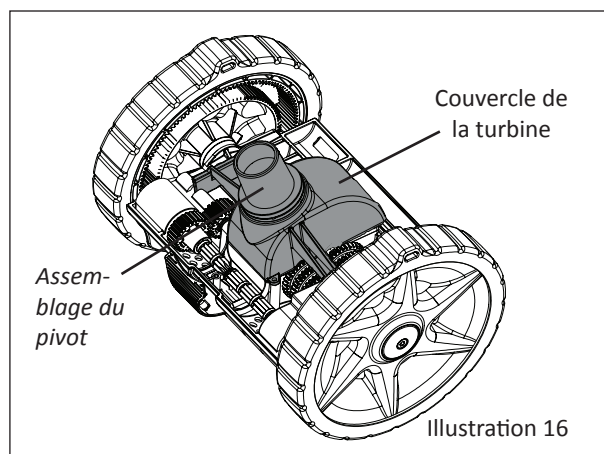
Lever l'avant du couvercle supérieur, puis le tirer fermement vers l'avant. Cela séparera le couvercle supérieur du boîtier du nettoyeur et vous permettra alors de lever le couvercle supérieur vers le haut à partir du boîtier du nettoyeur (voir l'illustration 15). Garder le couvercle de côté.

**Remarque :** le couvercle est conçu pour être bien serré, alors il se peut que vous deviez le remuer un peu.

4. Tirer le couvercle de la turbine vers le haut pour l'enlever du boîtier du nettoyeur. Garder la turbine de côté. Voir l'illustration 16.

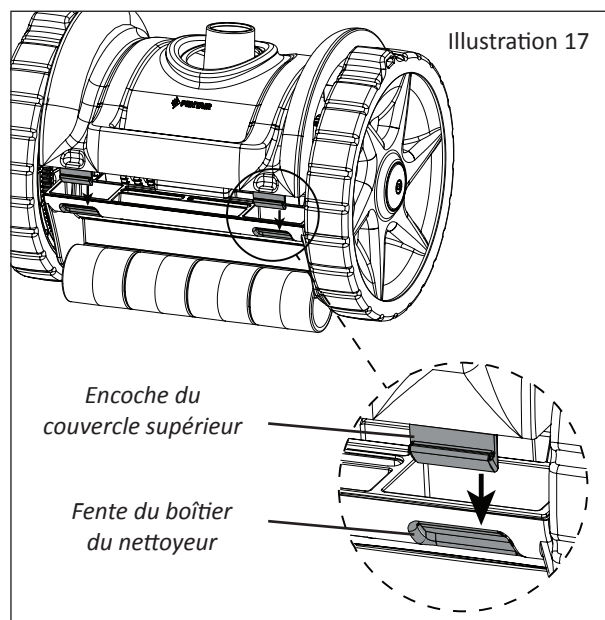


Retrait du couvercle supérieur



Partie pivotante et parties internes du nettoyeur

5. Retirer toute obstruction visible de la turbine et du couvercle de la turbine.
6. Replacer le couvercle de la turbine avec la partie pivotante orientée vers l'avant du nettoyeur. Voir l'illustration 16.
7. Inspecter le reste du nettoyeur et retirer tout débris qui aurait pu se loger dans les engrenages, les arbres de transmission, la partie pivotante, etc.
8. Répéter l'étape 2 (tourner la roue de droite) pour s'assurer que le nettoyeur fonctionne correctement.
9. Placer le couvercle supérieur sur la partie pivotante.
10. Placer les attaches situées à l'arrière du couvercle supérieur dans les fentes situées à l'arrière du boîtier du nettoyeur (voir l'illustration 17). Une fois que ces attaches sont placées dans les fentes, l'avant du couvercle s'emboîtera.
11. Verrouiller le couvercle supérieur sur le boîtier du nettoyeur avec la boucle de verrouillage située à l'avant du nettoyeur.



Encoches du couvercle et fentes du boîtier correspondantes

## Remplacement du pneu

Après une utilisation prolongée, il peut être nécessaire de remplacer les pneus en caoutchouc du nettoyeur de piscine à aspiration S5™. Lorsque la surface du pneu est usée jusqu'aux rainures, il est temps de remplacer le pneu. Voir l'illustration 18.

Pour enlever le pneu du nettoyeur :

1. Éteindre la pompe de la piscine et retirer le nettoyeur de la piscine.
2. Débrancher le nettoyeur de la première section de tuyau.
3. Placer le nettoyeur sur une surface de travail plane et retirer le pneu de la roue du haut vers le bas.

**Remarque** : retirer le pneu à la main. L'utilisation d'autres objets (tournevis, clés Allen, etc.) pour enlever le pneu peut endommager la roue.

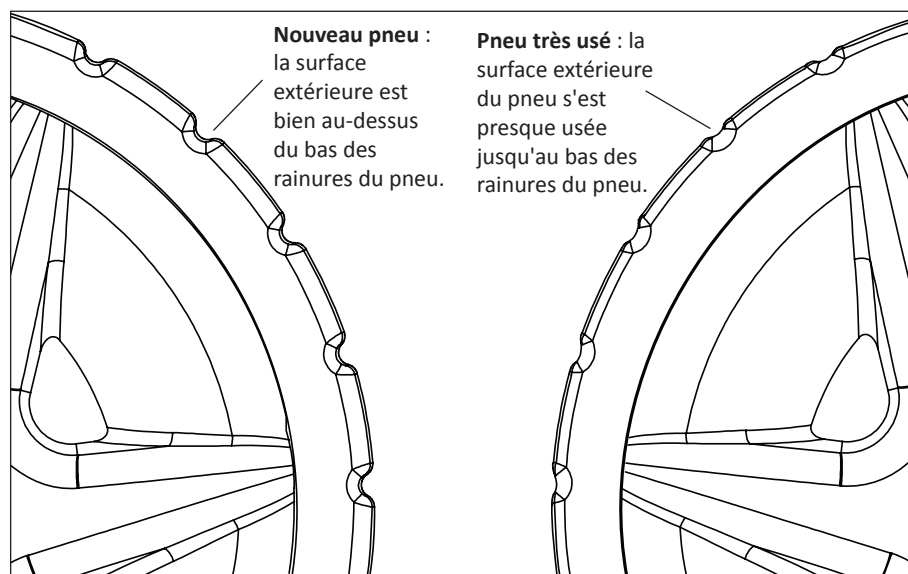


Illustration 18 : Comparaison d'usures de pneus

Pour installer le pneu de rechange :

1. Placer le nettoyeur sur une surface de travail plane et installer la partie supérieure du pneu en caoutchouc sur le haut de la roue. S'assurer que le bord arrière du pneu repose à plat sur le bord intérieur de la roue.

**Remarque** : remplacer le pneu à la main. L'utilisation d'autres objets (tournevis, clés Allen, etc.) pour enlever le pneu peut endommager la roue.

2. Étirer le bas du pneu sur le bas de la roue. S'assurer que le bord arrière du pneu repose à plat sur le bord intérieur de la roue.
3. Replier le bord arrière du pneu sur l'arrière de la roue du nettoyeur le long de la roue entière du nettoyeur. Le pneu doit reposer à plat sur la surface supérieure de la roue.



## DÉPANNAGE

En fonction des caractéristiques de votre piscine, certains réglages supplémentaires pourraient être nécessaires afin d'obtenir le meilleur rendement de votre nettoyeur de piscine à aspiration S5™. Utiliser les instructions suivantes pour résoudre tout problème potentiel.

| PROBLÈME  | ACTION CORRECTRICE   |
|---|--|
| Le nettoyeur ne bouge pas ou bouge trop lentement.                            | <p>Vérifier l'écoulement à l'aide du débitmètre inclus ou en calculant les tr/min du nettoyeur et, au besoin, ajuster l'écoulement à l'aide de la soupape de régulation.</p> <p>Vérifier si des débris encombrant l'intérieur du nettoyeur.</p> <p>Vérifier que la pompe est amorcée. Vérifier s'il y a des fuites dans le système qui pourraient gêner l'amorçage.</p> <p>L'écoulement traversant le système peut être insuffisant. Il peut être nécessaire de laver le filtre.</p> <p>S'assurer que la conduite d'évacuation principale et toutes les conduites d'aspiration sont fermées, à l'exception de la conduite d'aspiration à laquelle le nettoyeur est raccordé.</p> <p>Vérifier la présence d'obstruction dans le système (p. ex., des débris dans le filtre, le panier de la pompe ou la turbine de la pompe).</p> <p>La pompe de la piscine et le système de filtre peuvent être trop petits pour fournir un écoulement d'eau suffisant. Communiquer avec un spécialiste en piscines.</p> |
| La roue droite du nettoyeur ne tourne pas quand elle est actionnée à la main. | Vérifier la présence d'obstruction à l'intérieur du nettoyeur.   |
| Le nettoyeur reste toujours du même côté de la piscine.                       | <p>Vérifier l'écoulement à l'aide du débitmètre inclus ou en calculant les tr/min du nettoyeur et, au besoin, ajuster l'écoulement à l'aide de la soupape de régulation.</p> <p>Vérifier le débit d'eau de la conduite de refoulement et installer le déviateur à rotule fourni pour rediriger l'appareil.</p> <p>Vérifier que le tuyau est suffisamment long pour atteindre le point le plus éloigné de la piscine.</p> <p>Vérifier que le flotteur pour tuyau est correctement placé. Le flotteur peut être dans une mauvaise position.</p> <p>S'assurer que la partie pivotante (en haut du nettoyeur) tourne bien. Si ce n'est pas le cas, il se peut que la partie pivotante soit sale et qu'elle ait besoin d'être nettoyée.</p>   |
| Le nettoyeur monte trop sur les parois ou sort de la piscine.                 | Vérifier l'écoulement à l'aide du débitmètre inclus ou en calculant les tr/min du nettoyeur et, au besoin, ajuster l'écoulement à l'aide de la soupape de régulation.  |
| Le nettoyeur ne monte pas les parois de la piscine.                           | <p>Vérifier que les pneus du nettoyeur ne sont pas usés de façon excessive. Des pneus trop usés ne fourniront pas l'adhérence nécessaire à votre nettoyeur pour monter les parois de la piscine.</p> <p>Vérifier l'écoulement à l'aide du débitmètre inclus ou en calculant les tr/min du nettoyeur et, au besoin, ajuster l'écoulement à l'aide de la soupape de régulation.</p> <p>Vérifier que la première section de tuyau a été installée et qu'elle est au bon endroit.</p> <p>Vérifier que le flotteur pour tuyau est correctement placé. Le flotteur peut être dans une mauvaise position.</p>   |
| Le nettoyeur reste au niveau de la bouche d'évacuation principale.            | <p>S'assurer que la bouche d'évacuation principale est fermée. L'assistance d'un spécialiste en piscines pourrait être nécessaire.</p> <p>S'assurer que la bouche d'évacuation principale est munie d'une grille.</p>  |
| Le nettoyeur tombe sur le côté et met trop de temps pour se redresser.        | <p>Vérifier que le flotteur pour tuyau est correctement placé. Le flotteur peut être dans une mauvaise position.</p> <p>Vérifier que la première section de tuyau a été installée et qu'elle est au bon endroit.</p> <p>Vérifier que le tuyau est suffisamment long pour atteindre le point le plus éloigné de la piscine.</p> <p>Les connecteurs de retour du déviateur à rotule poussent peut-être sur les tuyaux du nettoyeur et les éloignent.</p>   |

**GARANTIE LIMITÉE : 2 ANS**  
**PLUS D'INFORMATIONS : [www.astralpool.com](http://www.astralpool.com)**

## Atención al cliente

Sitio web: [www.astralpool.com](http://www.astralpool.com)  
Correo electrónico: [info@astralpool.com](mailto:info@astralpool.com)

## Declaración de conformidad

Declaramos, bajo nuestra exclusiva responsabilidad, que el producto identificado en esta declaración, y al que se refiere esta declaración, cumple con las normativas de protección de la Directiva 2006/42/CEE



El fabricante, Fluidra, tiene derecho a modificar los productos sin previo aviso mientras que esto no modifique sus características.

© 2015 Fluidra S.A. Todos los derechos reservados. Este documento está sujeto a cambios sin previo aviso.

Marcas comerciales y exenciones de responsabilidad: todos los logotipos y marcas comerciales de AstralPool son propiedad de Fluidra S.A. S5™ y AstralPool® son marcas comerciales de Fluidra S.A. y/o sus empresas asociadas en España y/u otros países. Salvo que se indique lo contrario, los nombres y marcas de terceros que puedan figurar en este documento no se utilizan para indicar una afiliación o aprobación entre los propietarios de estos nombres y marcas y Fluidra S.A. Esos nombres comerciales o marcas pueden ser marcas comerciales o marcas registradas de estos terceros.

**PELIGRO** El incumplimiento de las instrucciones de este manual puede tener efectos negativos graves para la salud e incluso lesiones graves o mortales. El incumplimiento de las instrucciones de este manual invalidará todas las garantías y la responsabilidad por parte del fabricante. ANTES DE USAR ESTE LIMPIAFONDOS, LOS INSTALADORES, OPERADORES Y PROPIETARIOS DEBEN LEER ESTAS ADVERTENCIAS Y LAS INSTRUCCIONES DEL MANUAL DEL PROPIETARIO. ESTAS ADVERTENCIAS Y EL MANUAL DEL PROPIETARIO DEBEN PERMANECER SIEMPRE EN PODER DEL PROPIETARIO.

## ADVERTENCIAS IMPORTANTES E INSTRUCCIONES DE SEGURIDAD



### Aviso importante:

**ADVERTENCIA** Atención, instalador: esta guía contiene información importante sobre la instalación, el funcionamiento y el uso seguro de este producto. Se le debe proporcionar esta información al dueño y/u operador del equipo tras la instalación del limpiafondos.

Atención, usuario: este manual contiene información importante que le ayudará a operar y a mantener este limpiafondos. Por favor, consérvelo para su futura consulta. Si tiene alguna duda relacionada con este equipo, consulte a AstralPool.

Antes de instalar este producto, lea y cumpla todas las advertencias e instrucciones que incluye. El incumplimiento de las advertencias e instrucciones de seguridad puede causar lesiones graves, muerte o daños a la propiedad. Visite [www.astralpool.com](http://www.astralpool.com) para obtener copias adicionales gratuitas de estas instrucciones.

### Información para el consumidor y aspectos de seguridad

Este limpiafondos está diseñado y fabricado para proporcionar muchos años de servicio seguro y fiable cuando se instala, opera y mantiene según la información dada en este manual. En todo el manual, las advertencias de seguridad y las precauciones están identificadas con el símbolo "⚠". Lea detenidamente y cumpla al pie de la letra todas las advertencias y precauciones.

**ADVERTENCIA** Apague la bomba antes de intentar limpiar la unidad. No permita que nadie entre en la piscina mientras está funcionando el limpiafondos. Las mangueras pueden hacer que los usuarios de la piscina tropiecen o se enreden, lo que podría provocar su ahogamiento.

**PRECAUCIÓN** Las partes móviles pueden lesionar manos y pies. Apague la bomba antes de intentar limpiar el limpiafondos.

## Información general de instalación

### Lista de verificación previa a la instalación

Antes de instalar su limpiafondos, lea y entienda todas las advertencias e información de seguridad de esta guía. El incumplimiento de estas instrucciones o una instalación incorrecta del limpiafondos puede ocasionar daños en el acabado o el revestimiento de vinilo de la piscina. La mayoría de los limpiafondos del mercado no están diseñados para desplazarse del suelo a la pared cuando el tapajuntas de la piscina es del 90%. Es posible que en la piscina se hayan instalado otras estructuras que el limpiafondos no pueda superar. PERMANEZCA ALERTA y supervise el limpiafondos en caso de condiciones especiales. Fluidra S.A./AstralPool no se hará responsable de reparaciones ni sustituciones de ninguna de estas estructuras o componentes de la piscina del cliente.

#### Antes de instalar un limpiafondos en una piscina con revestimiento de vinilo:

observe el revestimiento con atención para detectar signos de deterioro o daños por antigüedad, químicos, daños en la pared de la piscina, etc. Si se detectan daños, deje que un profesional de piscinas haga las reparaciones necesarias. Asimismo, si hay piedras, raíces u otros objetos debajo del revestimiento, retírelos antes de instalar el limpiafondos.

#### Antes de instalar el limpiafondos en una piscina de hormigón proyectado o que esté parcial o completamente alicatada:

asegúrese de que el acabado de la piscina esté en buen estado, ya que las manchas, signos de deterioro, grietas o delaminado existentes podrían empeorar.

Repare cualquier azulejo y ajuste cualquier junta de las luces que necesite ajuste o reparación.

#### Antes de instalar el limpiafondos, limpie el sistema de filtros de su instalación:

Asegúrese de haber limpiado el filtro, incluido el contralavado, enjuague y vaciado de todas las cestas. Un sistema limpio es necesario para una limpieza y cobertura adecuada.

#### Antes de instalar el limpiador, comprenda bien su cobertura:

El limpiafondos está diseñado para eliminar la suciedad de su piscina en aproximadamente 4-6 horas. Dependiendo del tamaño de la piscina, puede tardar menos tiempo. El limpiador no está diseñado para limpiar automáticamente escalones ni rampas de acceso, ni tampoco para funcionar debajo de una cubierta solar. Es posible que el limpiafondos se quede atascado en estas zonas, pudiendo ocasionar daños al acabado de la piscina o al revestimiento de vinilo. Fluidra S.A./AstralPool no se hará responsable de reparaciones ni sustituciones de ninguna de estas estructuras o componentes de la piscina del cliente. Tampoco fue diseñado para hacer la limpieza inicial de una piscina nueva ni la limpieza de la piscina al inicio de la temporada.

#### DESPUÉS de instalar el limpiafondos, asegúrese de que esté funcionando correctamente:

El limpiafondos puede necesitar algunos ajustes mínimos para garantizar un funcionamiento adecuado y así prevenir daños en el acabado de la piscina. Algunos diseños de revestimiento de vinilo son especialmente susceptibles al deterioro de la superficie, desgaste, frotado de la tinta e importantes rasguños al diseño ocasionados por el contacto de objetos con la superficie de vinilo, incluyendo los limpiadores automáticos. Fluidra S.A./AstralPool no se hará responsable de ningún desgaste, abrasión o marcas ocasionadas en el revestimiento de vinilo. Inspeccione periódicamente los componentes del limpiafondos y su rendimiento para garantizar que funcione correctamente. Sustituya y/o repare cualquier componente gastado o dañado. El incumplimiento de estas instrucciones o una instalación incorrecta del limpiafondos puede ocasionar daños en el limpiafondos, el acabado o el revestimiento de vinilo de la piscina.

## Términos y condiciones de la garantía limitada

Antes de instalar su limpiafondos, lea y entienda todas las advertencias y la información de seguridad y garantía recogida en esta guía. El incumplimiento de estas instrucciones o una instalación incorrecta del limpiafondos puede ocasionar daños en el acabado o el revestimiento de vinilo de la piscina. Fluidra S.A./AstralPool no se hará responsable de las reparaciones o sustituciones de ninguna de estas estructuras o componentes de la piscina del cliente.

Garantía limitada: 2 años

Más información en: [www.astralpool.com](http://www.astralpool.com)

### Exención de responsabilidad: sobre su piscina y su limpiafondos

Existen múltiples factores que contribuyen a la longevidad de su piscina. El limpiafondos es un producto altamente pasivo que no tendrá ningún efecto sobre la vida útil de su piscina.

Tenga en cuenta que, con el paso del tiempo, es posible que se produzca deterioro, decoloración o fragilidad en cualquier revestimiento de piscina, independientemente de, o en combinación con, el tiempo de uso, un desequilibrio en la química del agua, una instalación inadecuada, y otros factores. Los limpiafondos de succión lateral no eliminarán ni desgastarán el yeso "bueno" de la piscina. De hecho, es posible que ocurra lo contrario: con el tiempo el yeso de la piscina desgastará el limpiafondos.

La misma situación se da en piscinas con revestimiento de vinilo que están enterradas, porque estos también se ven afectados por el medio ambiente y factores como la química del agua de la piscina, la luz solar y los alrededores de la piscina. Por lo tanto, con el paso del tiempo, el vinilo puede volverse frágil y quebradizo. Además, las piscinas con revestimiento de vinilo se ven afectadas por la calidad, composición e instalación del revestimiento y la calidad de la construcción de las paredes de contención y la base de la piscina. Todos estos factores pueden contribuir a fallos en el revestimiento. La existencia de cualquiera de estas condiciones en su piscina no tendrá su origen en el uso o funcionamiento del limpiafondos. El fabricante no se hará responsable de reparaciones ni sustituciones de ninguna de estas estructuras o componentes de la piscina del cliente.

El propietario de la piscina debe asumir la responsabilidad de las condiciones y el mantenimiento de la superficie de la piscina, el agua y el borde.

Antes de instalar el limpiafondos, dedique unos instantes a registrar el número de serie. Se le pedirá este número cuando contacte con el Departamento de asistencia técnica.

Nº DE SERIE \_\_\_\_\_

# PREPARACIÓN DE LA PISCINA

## Preparación de la piscina

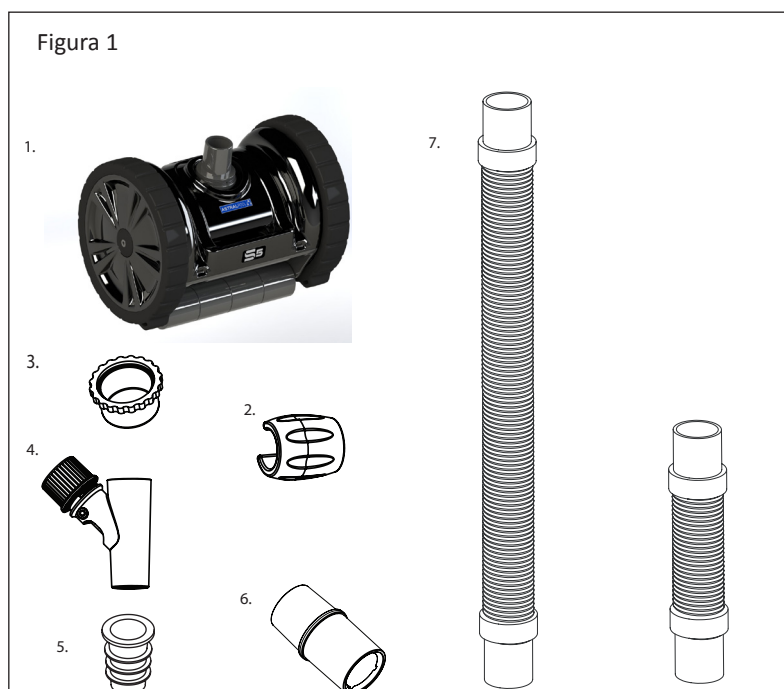
Antes de instalar el limpiafondos de succión lateral para piscinas S5™, su piscina debe estar limpia y libre de algas para no inhibir la tracción del limpiafondos. Si es necesario, realice los siguientes preparativos antes de continuar:

1. Equilibre químicamente el agua de la piscina.
2. Cepille las paredes de la piscina y deje que la suciedad se asiente en el fondo.
3. Aspire a mano minuciosamente.
4. Limpie el filtro y la cesta del colador de la bomba.

## Componentes del limpiafondos

Extraiga el limpiafondos y todas las piezas de la caja. Verifique que todos los componentes estén incluidos.

1. Cuerpo del limpiafondos S5
2. Flotador de la manguera
3. Tapa de válvula
4. Válvula reguladora
5. Adaptador cónico
6. Medidor de caudal
7. Juego de mangueras – 11 secciones
  - 10 mangueras macho/hembra estándares de 1 m.
  - 1 manguera principal



# MONTAJE DEL LIMPIAFONDOS

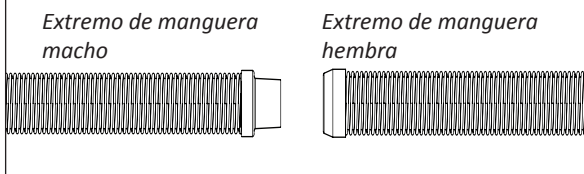
El cuerpo del limpiafondos de succión lateral S5™ se envía en una sola pieza, por lo que el ensamblaje del limpiafondos es un proceso más sencillo y rápido.

## Ensamblaje de la manguera

Para obtener mejores resultados y mantener un funcionamiento correcto, utilice exclusivamente piezas y mangueras originales.

1. Para conectar las secciones de la manguera, moje los extremos en el agua de la piscina, luego gire y presione los extremos hembra para introducirlos en los extremos macho.

Figura 2



2. Conecte la manguera principal al eslabón giratorio del limpiafondos. Véase la **Figura 3**.
3. La manguera deberá llegar desde donde esté conectado el limpiafondos hasta la parte más alejada de la piscina, más una sección adicional y la manguera principal.
4. Instale el flotador de la manguera en la segunda sección de la manguera. El flotador se debe colocar a 50,8 centímetros (20 pulgadas) por encima del limpiafondos. Véase la **Figura 4**.
5. Asegúrese de que todas las conexiones estén bien ajustadas.
6. La longitud total necesaria de la manguera se determina midiendo la distancia desde el punto en que se conecta la manguera al puerto de succión hasta el punto más alejado de la piscina, más una sección y la manguera principal. Véase la **Figura 5**.

Figura 3

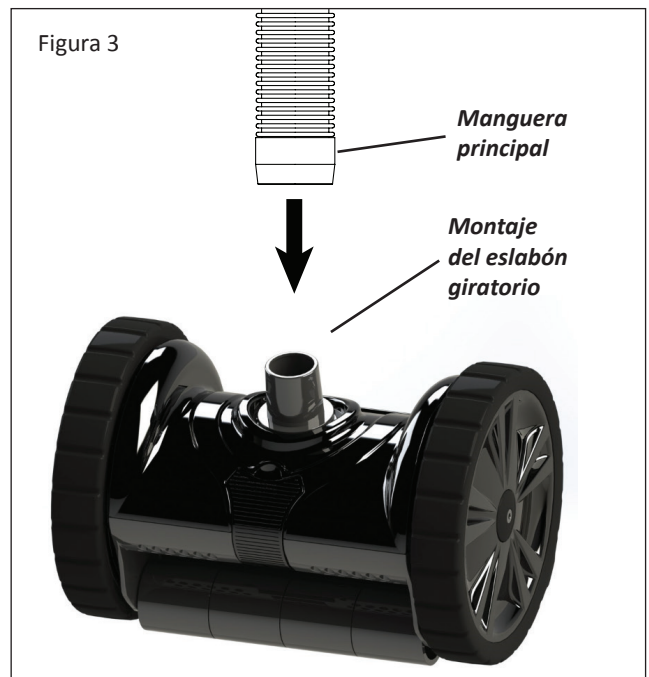


Figura 4

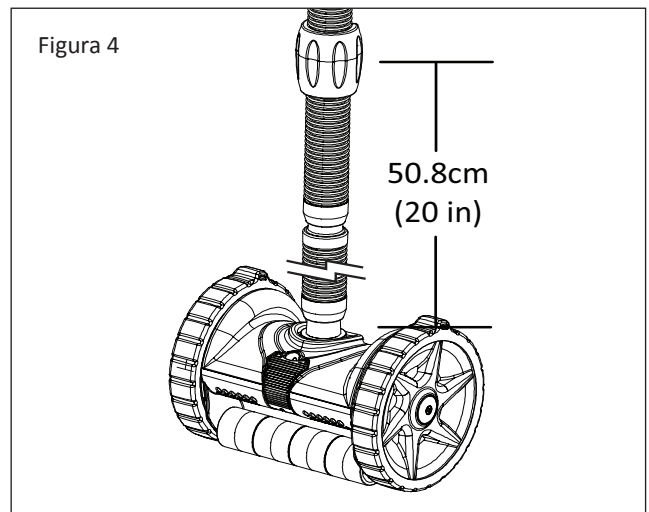
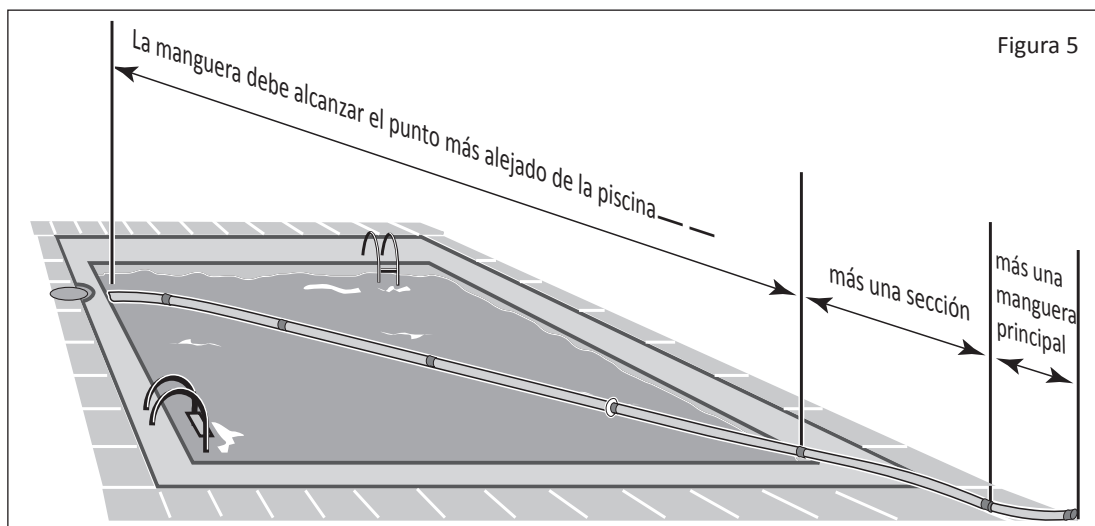


Figura 5



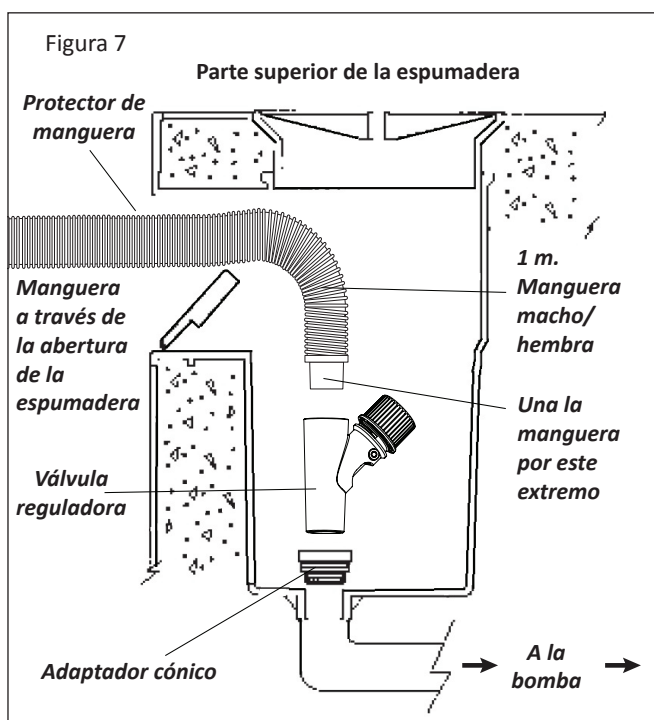
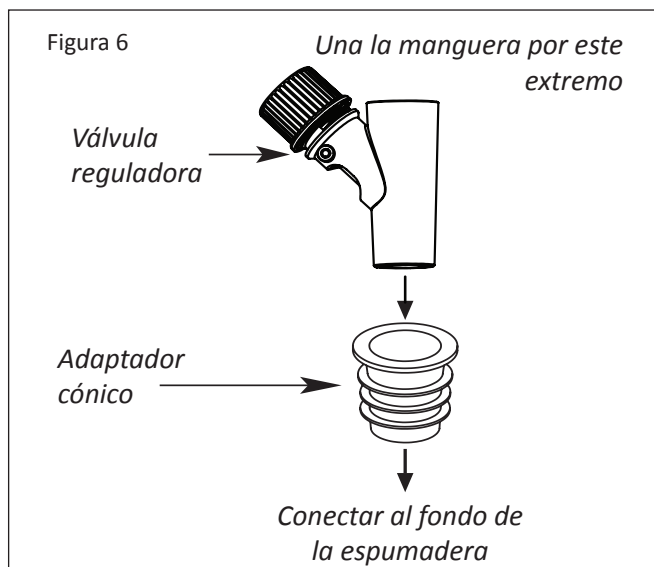
# INSTALACIÓN DEL LIMPIAFONDOS

## Instalación estándar

El limpiafondos de succión lateral S5™ para piscinas está diseñado para funcionar en una gran variedad de piscinas. En este manual se explica tanto la instalación estándar para piscinas con espumadera como la instalación de la línea de aspiración opcional. Vea cuál de ellas se adapta mejor a la configuración de su piscina y siga las instrucciones.

**Nota:** según las características particulares de su piscina, es posible que no necesite la tapa de la válvula reguladora.

1. Apague la bomba de la piscina.
2. Cierre el desagüe principal y todas las líneas de succión, excepto la línea de la espumadera a la que conectará el limpiafondos.
3. Quite la cesta de la espumadera.
4. Introduzca el adaptador de cono en la conexión de aspiración situada en el fondo de la espumadera. Véase la **Figura 7**.
5. Empuje la válvula reguladora dentro del adaptador cónico. El botón de ajuste de la válvula debe estar orientado hacia arriba.
6. Introduzca el limpiafondos en la piscina. Gírelo de lado a lado y de adelante hacia atrás para liberar el aire atrapado, permitiendo así que el limpiafondos se hunda hasta el fondo de la piscina. Continúe introduciendo la manguera verticalmente en la piscina hasta que esté totalmente llena de agua y purgada de aire.  
**Nota:** si entrara aire en la fontanería de la piscina, es posible que su bomba pierda cebado.
7. Introduzca el extremo de la manguera a través de la abertura de la espumadera y conéctela directamente a la válvula reguladora. Véase la **Figura 7**



## Instalación de línea de aspiración opcional

### Instalación de línea de aspiración con válvula reguladora en la espumadera.

Se recomienda muy especialmente la utilización de la válvula reguladora para equilibrar el caudal de agua entre el limpiafondos de succión lateral S5™ para piscinas y la espumadera. Instale la válvula reguladora en la espumadera cuando conecte el limpiafondos a una línea de aspiración exclusiva.

1. Apague la bomba de la piscina.
2. Cierre el desagüe principal y todas las líneas de succión, excepto las líneas de la espumadera y la línea de succión a la que se conectará el limpiafondos.
3. Enrosque el acoplamiento automático para pared al extremo de la línea de succión empleada (opcional, de no estar ya instalado).

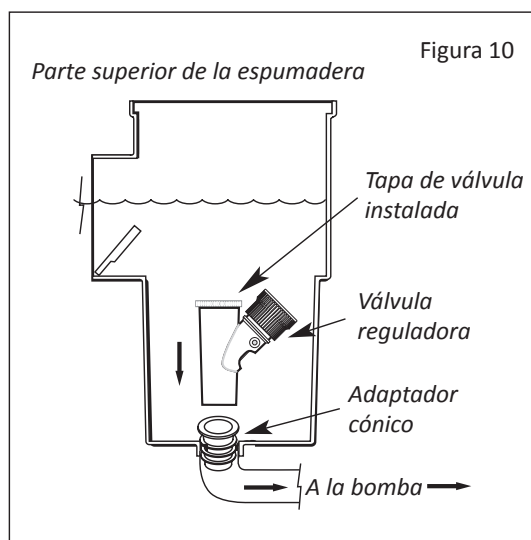
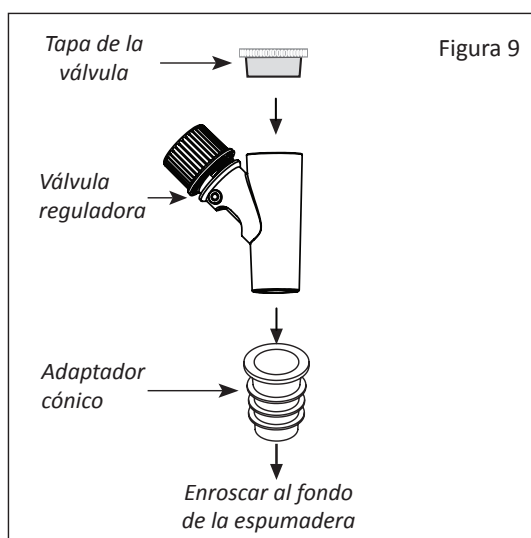
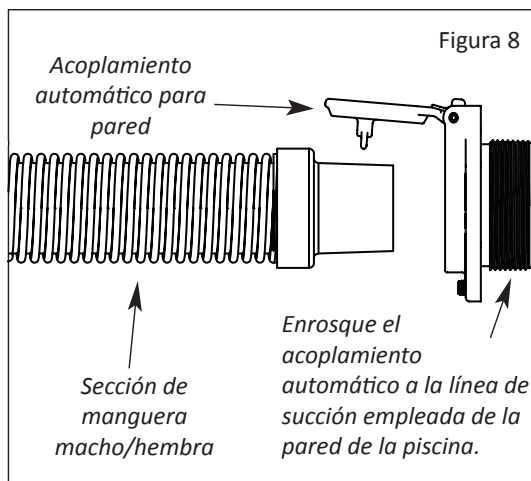
**Nota:** aplique dos vueltas de cinta sellante alrededor de las roscas para asegurar una extracción fácil.

4. Introduzca el limpiafondos (con la manguera conectada) en la piscina. Gírelo de lado a lado y de adelante hacia atrás para liberar el aire atrapado, lo que permitirá que el limpiafondos se hunda hasta el fondo de la piscina. Continúe introduciendo la manguera verticalmente en la piscina hasta que esté totalmente llena de agua y purgada de aire.

**Nota:** si entrara aire en la fontanería de la piscina, es posible que la bomba pierda cebado.

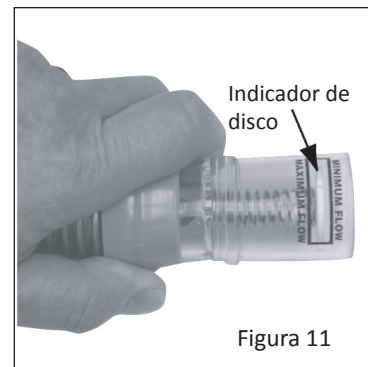
5. Introduzca el extremo macho de la última sección de la manguera directamente en el acoplamiento automático para pared. Véase la **Figura 8**.
6. Introduzca el adaptador cónico en la conexión de aspiración del fondo de la espumadera.
7. Para evitar que fluya agua a través de la parte superior de la válvula reguladora, apriete la tapa de la válvula en la parte superior de la válvula (Véase la **Figura 9**). Esto activa la válvula reguladora y asegura que una cantidad adecuada de agua (6 m<sup>3</sup>/h) fluya a través de la línea de aspiración y el limpiafondos. Sin la tapa de la válvula, la válvula reguladora y el limpiafondos no funcionarán correctamente. Véase la **Figura 10**.
8. Empuje la válvula reguladora al interior del adaptador de compresión.

Tras completar la instalación, encienda la bomba de la piscina. Deje la bomba en funcionamiento un par de minutos para asegurarse de que salga todo el aire del sistema.



## Ajustar el flujo del limpiafondos con el medidor de caudal

1. Apague la bomba de la piscina.
2. Desconecte el limpiafondos de succión lateral S5™ de la manguera principal y conecte el medidor de caudal.  
**Nota:** asegúrese de que la manguera se mantenga sumergida para evitar la succión de aire.
3. Encienda la bomba.
4. Gire el botón de ajuste de la válvula reguladora en sentido horario para aumentar el flujo, o en sentido antihorario para reducirlo, hasta que el indicador de disco del medidor de caudal quede entre el caudal “Máximo” y “Mínimo”. Véase la **Figura 11**.
5. Apague la bomba de la piscina y retire el medidor de caudal y vuelva a conectar el limpiafondos.
6. Introduzca el limpiafondos en la piscina y deje que se hunda hasta el fondo de la piscina.
7. Encienda la bomba de la piscina.



## Cómo calcular la velocidad (rpm) del limpiafondos sin el medidor de caudal

Si no dispone del medidor de caudal incluido originalmente con su limpiafondos, siga los siguientes pasos para calcular la velocidad y ajustar las rpm del limpiafondos según proceda.

1. Cuando el limpiafondos esté en marcha, súbalo hasta que quede justo bajo la superficie del agua de la piscina.  
**Nota:** asegúrese de mantener el limpiafondos sumergido mientras la bomba esté en funcionamiento. Así evitará que el limpiafondos aspire aire al sistema de la piscina.
2. Cunte las rotaciones completas que haga la rueda en un minuto. El número de rotaciones le dará las revoluciones por minuto, o rpm. Una manera fácil de asegurarse de estar contando rotaciones completas es contar el número de veces que la giba de la rueda pasa por el ensamblaje del eslabón giratorio.
3. Para obtener el mejor rendimiento, el limpiafondos S5 debe funcionar a una velocidad de entre 11 y 13 rpm.  
Si las rpm son inferiores a 11, ajuste la válvula reguladora (gire el botón de ajuste en sentido horario) y repita los pasos 1-2 hasta que las rpm regresen al rango óptimo.  
Si las rpm son superiores a 13, ajuste la válvula reguladora (gire el botón de ajuste en sentido antihorario) y repita los pasos 1-2 hasta que las rpm regresen al rango óptimo.

## AJUSTES Y FUNCIONAMIENTO DEL LIMPIAFONDOS

Tras la instalación, encienda la bomba de la piscina. El limpiafondos de succión lateral S5™ para piscinas deberá desplazarse por la piscina a una velocidad de 2,5 a 3,6 metros por minuto. Asegúrese de verificar cada uno de los siguientes ajustes iniciales.

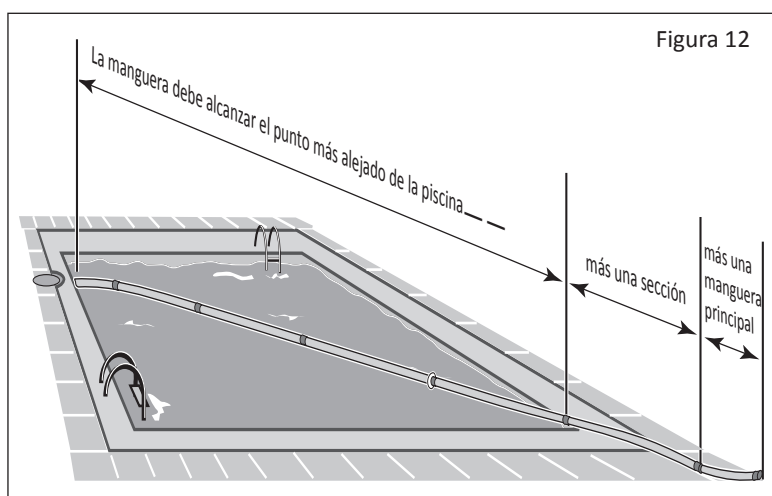
### Longitud de la manguera

**Nota:** la bomba debe estar encendida cuando verifique la longitud de la manguera. La manguera se contrae cuando la bomba está en funcionamiento y se alarga cuando está apagada.

Cuando el limpiafondos esté en funcionamiento:

1. Sitúelo en el punto de la piscina que quede más alejado de su punto de conexión. Utilice una pértiga y un cepillo para piscinas para ubicar fácilmente el limpiafondos dentro de ésta.
2. La manguera debe tener la longitud suficiente para alcanzar el extremo de la piscina, más una sección adicional y la manguera principal. Véase la **Figura 12**.
3. Retire cualquier exceso de longitud de la manguera desde la mitad del ensamblaje de la manguera. Esto asegurará que la posición del flotador de la manguera se altere.
4. Guarde las secciones sobrantes por si las necesitara para sustituir otras.

**Nota:** apague la bomba de la piscina cuando retire o añada secciones de la manguera.





## Flujo de agua de la línea de retorno

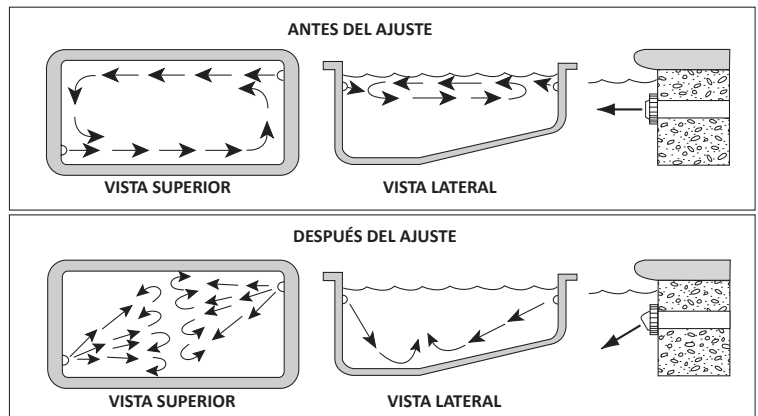
**IMPORTANTE:** el flujo de agua de su línea de retorno puede empujar la manguera del limpiafondos de succión lateral de piscinas S5™ y afectar a su funcionamiento. Puede hacer que el limpiafondos se aleje del extremo de la piscina donde está ubicada la línea de retorno, o que el limpiafondos permanezca sólo en una zona de la piscina. Para corregirlo, utilice un desviador de globo.

### Posiciones del desviador de globo

Sitúe la abertura del desviador para redirigir el flujo de agua de la línea de retorno y que no interfiera con el movimiento del limpiafondos. Pruebe diferentes posiciones para ver cuál funciona mejor en su piscina:

- El flujo dirigido a lo largo del lateral de la piscina (la línea de azulejos).
- El flujo dirigido hacia abajo.
- El flujo dirigido contra la manguera ayudará a alejar el limpiafondos de obstáculos como escalones y escaleras.

Después de instalar el desviador de globo, encienda la bomba de la piscina. El limpiafondos comenzará a desplazarse por el fondo de la piscina aspirando la suciedad en su camino.



## MANTENIMIENTO

El limpiafondos de succión lateral S5™ prácticamente no requiere mantenimiento. Revise periódicamente su limpiafondos para asegurarse de que:

- La turbina pueda moverse libremente y no esté obstruida por la suciedad. Consulte "Cómo eliminar la suciedad de la turbina", más abajo.
- Los neumáticos no estén excesivamente gastados. Véase la **Figura 18** en la siguiente página.

Recomendamos que deje su limpiafondos en la piscina, excepto durante los tratamientos químicos de choque.

- Mientras se está nadando, resulta fácil desconectar el limpiafondos y dejarlo a un lado.
- **Nota:** cuando guarde el limpiafondos, no enrolle la manguera. Extienda la manguera a lo largo en un área protegida de la luz directa del sol.

La manguera de este limpiafondos está diseñada para asegurar un funcionamiento óptimo. Si necesita sustituirla, insista en recibir una manguera original de limpiafondos Pentair.

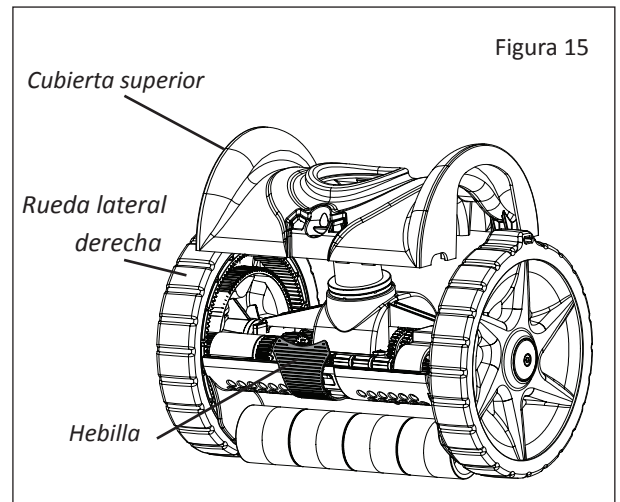
### Cómo eliminar la suciedad de la turbina

1. Asegúrese de que la bomba de la piscina esté apagada. Retire el limpiafondos de la piscina y desconéctelo de la manguera principal.
2. Revise para comprobar si hay algo atascado en el interior del limpiafondos. Para ello, coloque el limpiafondos con la hebilla hacia arriba e intente girar la rueda del lado derecho hacia delante. Si la rueda gira suavemente, probablemente no haya ninguna obstrucción. Si no gira, hay una obstrucción.
3. Coloque el limpiafondos en una superficie de trabajo plana. Abra la hebilla en la parte frontal del limpiafondos tirándola hacia fuera y hacia abajo.

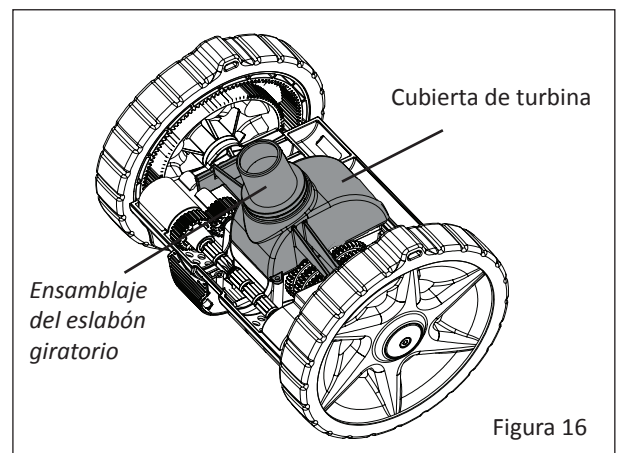
Levante la parte frontal de la cubierta superior hacia arriba y luego tire firmemente hacia delante. Esto separará la cubierta superior del cuerpo del limpiafondos y ahora podrá levantar la cubierta superior hacia arriba desde el cuerpo del limpiafondos (véase la **Figura 15**). Coloque la cubierta a un lado.

**Nota:** la cubierta superior está diseñada para encajar perfectamente, así que es posible que deba moverla un poco.

4. Tire de la cubierta de la turbina hacia arriba y sáquela del cuerpo del limpiafondos. Ponga la cubierta de la turbina a un lado. Véase la **Figura 16**.

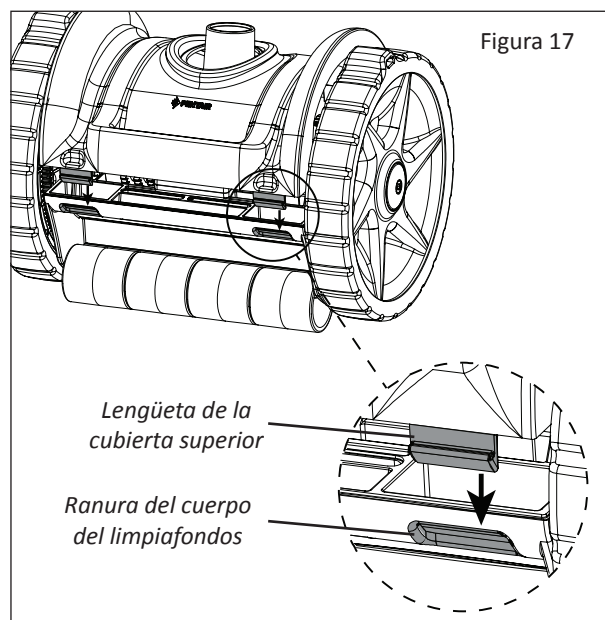


Desmontaje de la cubierta superior



Ensamblaje del eslabón giratorio y piezas internas del limpiafondos

Figura 17



Lengüetas de la cubierta y ranuras del cuerpo correspondientes

5. Retire las obstrucciones visibles de la cubierta de la turbina y la turbina.
6. Vuelva a colocar la cubierta de la turbina con el ensamblaje del eslabón giratorio hacia la parte delantera del limpiafondos. Véase la **Figura 16**.
7. Inspeccione visualmente el resto del limpiafondos y elimine cualquier resto de suciedad que pueda haber en los engranajes, ejes de transmisión, ensamblaje del eslabón giratorio, etc.
8. Repita el **paso 2 (girando la rueda derecha)** para asegurarse de que el limpiafondos funcione sin problemas.
9. Coloque la cubierta superior sobre el eslabón giratorio.
10. Coloque las lengüetas del lado posterior de la cubierta superior en las ranuras del lado posterior del cuerpo del limpiafondos (véase la **Figura 17**). Una vez que estas lengüetas encajen en las ranuras, la parte frontal de la cubierta encajará en su lugar.
11. Bloquee la cubierta superior sobre el cuerpo del limpiafondos con la hebilla de bloqueo de la parte frontal del limpiafondos.

## Sustitución del neumático

Tras un uso prolongado, es posible que deba sustituir los neumáticos de goma del limpiafondos de succión lateral de piscina S5™. Cuando la superficie del neumático se ha desgastado por las ranuras del neumático, deberá sustituirlo. Véase la **Figura 18**.

### Para desmontar el neumático del limpiafondos:

1. Apague la bomba de la piscina y saque el limpiafondos de la piscina.
2. Desconecte el limpiafondos de la manguera principal.
3. Coloque el limpiafondos en una superficie plana y saque el neumático de la rueda de arriba a abajo.

**Nota:** retire el neumático manualmente. El uso de otros objetos (destornilladores, llaves Allen, etc.) para retirar el neumático podría ocasionar daños en la rueda.

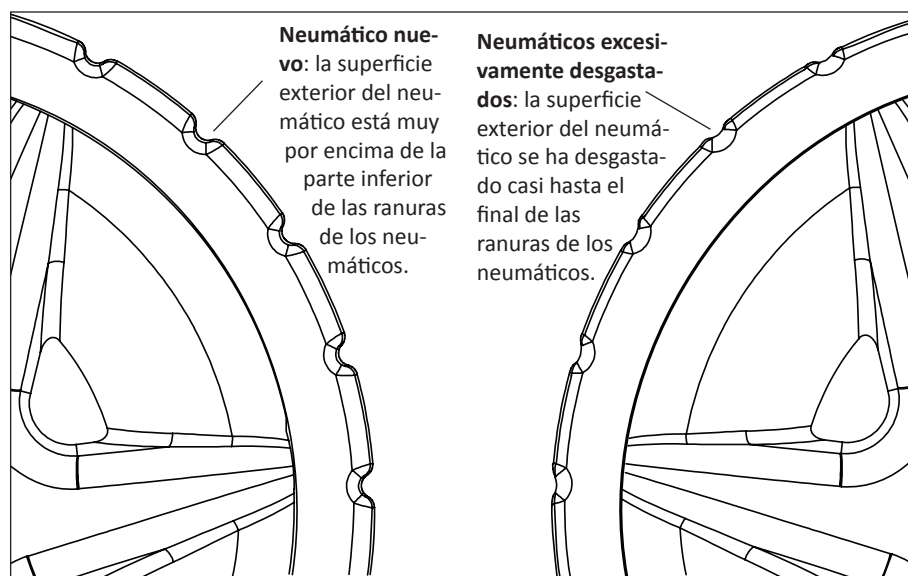


Figura 18: comparativa de desgaste del neumático

### Para montar el neumático de repuesto:

1. Coloque el limpiafondos en una superficie plana y asiente la parte superior del neumático de goma en la parte superior de la rueda. Asegúrese de que el borde posterior del neumático se apoye en el borde interior de la rueda.

**Nota:** cambie el neumático manualmente. El uso de otros objetos (destornilladores, llaves Allen, etc.) para sustituir el neumático podría ocasionar daños en la rueda.

2. Estire la parte inferior del neumático sobre la parte inferior de la rueda. Asegúrese de que el borde posterior del neumático se apoye en el borde interior de la rueda.
3. Doble el borde posterior del neumático en la parte posterior de la rueda del limpiafondos a lo largo de toda la rueda. El neumático debe quedar plano sobre la superficie superior de la rueda.

## SOLUCIÓN DE PROBLEMAS

Debido a las características individuales de su piscina, posiblemente requiera ajustes adicionales para obtener un rendimiento óptimo de su limpiafondos de succión lateral S5™ para piscinas. Utilice la siguiente información para resolver posibles inconvenientes.

| PROBLEMA   | MEDIDA CORRECTIVA   |
|--|---|
| El limpiafondos no se mueve o lo hace muy lentamente.                | <p>Verifique el flujo con el medidor de caudal que se incluye o calculando las rpm del limpiafondos y ajuste el flujo si es necesario con la válvula reguladora.</p> <p>Compruebe si hay suciedad en el interior del limpiafondos.</p> <p>Revise para asegurarse de que la bomba esté cebada. Compruebe si hay fugas en el sistema que puedan impedir cebar la bomba adecuadamente.</p> <p>Es posible que no haya suficiente flujo a través del sistema. El filtro puede precisar un proceso de contralavado.</p> <p>Verifique que el desagüe principal y todas las líneas de succión estén cerrados, excepto la línea de succión a la que está conectado el limpiafondos.</p> <p>Compruebe si hay obstrucciones en el sistema (por ejemplo: residuos en el filtro, prefiltro de la bomba o turbina de la bomba).</p> <p>La bomba de la piscina y el sistema de filtro pueden ser demasiado pequeños para proporcionar el flujo de agua adecuado. Consulte a su profesional de mantenimiento de piscinas.</p> |
| La rueda derecha del limpiafondos no gira manualmente.               | Compruebe si hay obstrucciones en el interior del limpiafondos.   |
| El limpiafondos permanece en un extremo de la piscina.               | <p>Verifique el flujo con el medidor de caudal que se incluye o calculando las rpm del limpiafondos y ajuste el flujo si es necesario con la válvula reguladora.</p> <p>Verifique el flujo de agua de la línea de retorno y redireccione como proceda con el desviador de globo que se incluye.</p> <p>Verifique que la manguera sea lo suficientemente larga para llegar al punto más alejado de la piscina.</p> <p>Compruebe la correcta colocación del flotador de la manguera. Es posible que el flotador se encuentre en una posición incorrecta.</p> <p>Asegúrese de que el ensamblaje del eslabón giratorio (en la parte superior del limpiafondos) gire suavemente. Si no, el eslabón giratorio puede estar sucio y precisar limpieza.</p>  |
| El limpiafondos sube demasiado por la pared o sale de la piscina.    | Verifique el flujo con el medidor de caudal que se incluye o calculando las rpm del limpiafondos y ajuste el flujo si es necesario con la válvula reguladora.   |
| El limpiafondos no asciende por las paredes de la piscina.           | <p>Verifique que los neumáticos del limpiafondos no estén excesivamente desgastados. Los neumáticos excesivamente desgastados no proporcionarán el agarre necesario para que su limpiafondos suba por las paredes de la piscina.</p> <p>Verifique el flujo con el medidor de caudal que se incluye o calculando las rpm del limpiafondos y ajuste el flujo si es necesario con la válvula reguladora.</p> <p>Verifique que la manguera principal se haya instalado y esté en la ubicación correcta.</p> <p>Compruebe la correcta colocación del flotador de la manguera. Es posible que el flotador se encuentre en una posición incorrecta.</p>  |
| El limpiafondos permanece en el desagüe principal.                   | <p>Verifique que el desagüe principal esté cerrado. Puede necesitar la ayuda de un profesional de mantenimiento de piscinas.</p> <p>Verifique que esté instalada una rejilla del desagüe principal.</p>   |
| El limpiafondos cae de lado y tarda demasiado tiempo en recuperarse. | <p>Verifique la correcta colocación del flotador de la manguera. Es posible que el flotador se encuentre en una posición incorrecta.</p> <p>Verifique que la manguera principal se haya instalado y esté en la ubicación correcta.</p> <p>Verifique que la manguera sea lo suficientemente larga para llegar al punto más alejado de la piscina.</p> <p>Es posible que los accesorios de pared para globo desviador estén empujando las mangueras del limpiafondos.</p>   |

**GARANTÍA LIMITADA: 2 AÑOS**  
**MÁS INFORMACIÓN: [www.astralpool.com](http://www.astralpool.com)**

## Assistenza clienti

Sito web : [www.astralpool.com](http://www.astralpool.com)  
E-mail : [info@astralpool.com](mailto:info@astralpool.com)

### Dichiarazione di conformità

Dichiariamo, sotto la nostra responsabilità, che il prodotto identificato in questa dichiarazione e a cui questa dichiarazione si riferisce, è conforme ai requisiti di protezione della Direttiva 2006/42/CE del Consiglio.



Il produttore, Fluidra, ha il diritto di modificare i prodotti senza preavviso, nella misura in cui tali modifiche non alterino le caratteristiche essenziali degli stessi.

© 2015 Fluidra S.A. Tutti i diritti riservati. Il presente documento è soggetto a modifica senza preavviso.

Marchi depositati ed esclusione di responsabilità: Tutti i marchi depositati e i loghi AstralPool sono di proprietà di Fluidra S.A. S5™ e AstralPool® sono marchi depositati di Pentair Inc. e/o sue affiliate negli Spagna e/o in altri paesi. Salvo esplicita indicazione, i nomi e i marchi di terzi eventualmente contenuti nel presente documento non sono utilizzati per indicare un'affiliazione o supporto fra i proprietari di tali nomi e marchi e Fluidra S.A. Tali nomi e marchi possono essere marchi o marchi registrati dei terzi citati.

**⚠ PERICOLO** Il mancato rispetto delle istruzioni del presente manuale può comportare conseguenze gravi per la salute o addirittura conseguenze mortali. Il mancato rispetto delle istruzioni del presente manuale in qualsiasi caso rende nulle le garanzie e responsabilità da parte del produttore. **GLI INSTALLATORI, I TECNICI E I PROPRIETARI DEVONO LEGGERE LE PRESENTI AVVERTENZE E TUTTE LE ISTRUZIONI CONTENUTE NEL MANUALE D'USO PRIMA DI UTILIZZARE IL PULITORE. LE PRESENTI AVVERTENZE E IL MANUALE D'USO DEVONO ESSERE LASCIATI AL PROPRIETARIO DELLA CASA.**

## AVVERTENZA IMPORTANTE E ISTRUZIONI DI SICUREZZA



### Avvertenza importante:

**⚠ AVVERTENZA** Avviso per gli installatori: questa guida contiene informazioni importanti per l'installazione, il funzionamento e l'uso sicuro del prodotto. Tali informazioni devono pertanto essere consegnate al proprietario e/o all'utente di questa apparecchiatura dopo l'installazione del pulitore per piscine.

Avviso per gli utenti: questo manuale contiene informazioni importanti per il funzionamento e la manutenzione del pulitore per piscine. Va conservato per futura consultazione. Rivolgersi a AstralPool per eventuali domande sull'apparecchiatura.

Prima di installare il prodotto, leggere attentamente e rispettare tutte le istruzioni e le avvertenze contenute nel presente manuale. La mancata osservanza delle istruzioni e delle avvertenze sulla sicurezza potrebbe provocare danni alle cose, lesioni personali o morte. Visitare [www.astralpool.com](http://www.astralpool.com) per ricevere ulteriori copie gratuite di queste istruzioni.

### Informazioni per il consumatore e sicurezza

Il pulitore per piscine è progettato e realizzato per garantire diversi anni di funzionamento sicuro e affidabile, purché installato, utilizzato e sottoposto a manutenzione in base alle informazioni contenute nel presente manuale. In tutto il manuale, avvisi di sicurezza e avvertenze sono identificati dal simbolo "⚠". Accertarsi di leggere tutte le avvertenze e gli avvisi e comportarsi di conseguenza.

**⚠ AVVERTENZA** Arrestare la pompa prima di tentare di pulire l'unità. Non consentire l'uso della piscina durante il funzionamento del pulitore. Il tubo potrebbe ostacolare o intrappolare persone intente a nuotare, con conseguente annegamento.

**⚠ ATTENZIONE** Le parti mobili possono causare lesioni a mani o dita. Arrestare la pompa prima di tentare di pulire il pulitore per piscine.

## Istruzioni generali per l'installazione

### Elenco di controllo pre-installazione

Prima di installare il pulitore, leggere e comprendere tutte le avvertenze e le informazioni di sicurezza di questa guida. La mancata osservanza di queste istruzioni o un'installazione non corretta del pulitore possono portare a danni alle finiture o al rivestimento vinilico della piscina. La maggior parte dei pulitori non è concepita per passare dal fondo alla parete quando lo zoccolo della piscina è al 90%. Possono esservi altre strutture installate nella piscina che il pulitore non è in grado di superare; è necessario ESSERNE CONSAPEVOLI e supervisionare il pulitore in presenza di condizioni particolari. Fluidra S.A./AstralPool declina qualsivoglia responsabilità per riparazioni o sostituzioni di alcuna di queste strutture o componenti della piscina del cliente.

#### Prima di installare il pulitore in una piscina con rivestimento vinilico:

Verificare scrupolosamente l'eventuale presenza di segni di deterioramento o danni causati da età, sostanze chimiche, pareti della piscina rovinate, ecc. sul rivestimento. Se si individuano dei danni, interpellare un professionista qualificato per tutte le necessarie riparazioni. Inoltre, se vi sono sassi, radici, ecc. sotto il rivestimento, rimuoverli prima di installare il pulitore.

#### Prima di installare il pulitore in una piscina in gunita o parzialmente o totalmente piastrellata:

Assicurarsi che la finitura della piscina sia in condizioni adeguate, dal momento che macchie, erosione, crepe o delaminazione possono peggiorare. Riparare le piastrelle che si muovono e stringere eventuali elementi di fissaggio delle luci allentati.

#### Prima di installare il pulitore, pulire il sistema di filtraggio:

Assicurarsi di aver pulito il filtro, con controlavaggio, risciacquo e svuotamento di tutti i cestelli. Per il corretto funzionamento e raggio d'azione del pulitore è necessario disporre di un impianto pulito.

#### Prima di installare il pulitore, informarsi sul raggio d'azione:

Il pulitore è studiato per l'eliminazione di detriti dalla piscina in 4-6 ore circa. L'operazione potrebbe richiedere meno tempo, a seconda delle dimensioni della piscina. Il pulitore non è stato progettato per la pulizia automatica di gradini o scalette né per il funzionamento sotto copertura solare. Il pulitore potrebbe restare intrappolato in tali aree, con conseguenti danni alla finitura o al rivestimento vinilico della piscina. Fluidra S.A./AstralPool declina qualsivoglia responsabilità per riparazioni o sostituzioni di alcuna di queste strutture o componenti della piscina del cliente. Il pulitore, inoltre, non è studiato per la pulizia iniziale di una piscina nuova o all'apertura stagionale della piscina.

#### DOPO aver installato il pulitore, verificarne il corretto funzionamento:

Potrebbe essere necessario mettere a punto il pulitore al fine di garantirne il corretto funzionamento, in modo che non danneggi la finitura della piscina. Alcuni rivestimenti vinilici hanno dei disegni che sono particolarmente suscettibili a usura superficiale o a cancellazione del disegno; l'inchiostro del disegno può cancellarsi o possono venire seriamente danneggiati con graffiature causate dal contatto con vari oggetti sulla superficie vinilica, compresi i pulitori automatici per piscine. Fluidra S.A./AstralPool non assume responsabilità per la cancellazione, abrasione o segnatura di rivestimenti vinilici. Ispezionare periodicamente i componenti e le prestazioni del pulitore per accertarsi che funzioni come previsto. Sostituire e/o riparare eventuali componenti danneggiati. La mancata osservanza delle istruzioni o un'installazione non corretta del pulitore può causare danni al pulitore, alla finitura della piscina o al rivestimento vinilico.

### Termini e condizioni della garanzia limitata

Prima di installare il pulitore, leggere e comprendere tutte le avvertenze e le informazioni su garanzia e sicurezza di questa guida. La mancata osservanza delle istruzioni o un'installazione non corretta del pulitore potrebbero provocare danni alla finitura della piscina o al rivestimento vinilico. Fluidra S.A./AstralPool declina qualsivoglia responsabilità per la riparazione o la sostituzione di queste strutture o componenti della piscina del cliente.

Garanzia limitata: 2 anni

Per ulteriori dettagli: [www.astralpool.com](http://www.astralpool.com)

### Esclusione di responsabilità - Informazioni sulla piscina e sul pulitore

Ci sono una serie di fattori che contribuiscono alla vita utile di una piscina. Il pulitore per piscine è un prodotto estremamente passivo, che non ha impatto sulla vita utile della piscina.

È necessario essere consapevoli del fatto che, nel tempo, il deterioramento, lo scolorimento e la fragilità di qualsiasi finitura di piscina possono essere causati dai seguenti fattori, congiuntamente o singolarmente: età, squilibrio chimico dell'acqua della piscina, installazione non corretta e altri. I pulitori lato aspirazione per piscine non rimuoveranno una "buona" finitura di piscina né ne causeranno l'usura. In realtà è vero l'opposto: la finitura della piscina finirà per causare l'usura del pulitore.

Lo stesso vale per le piscine interrate con rivestimento vinilico, poiché anche tale rivestimento è condizionato dall'ambiente e da fattori quali la chimica dell'acqua della piscina, la luce del sole e gli elementi che circondano la piscina stessa. Pertanto, nel tempo il vinile può farsi fragile e debole. Inoltre, le piscine con rivestimento vinilico risentono di lavorazione, composizione e installazione del rivestimento, oltre che di lavorazione e qualità costruttiva delle pareti di supporto e del fondo della piscina. Questi sono tutti fattori che possono contribuire al deterioramento del rivestimento. L'esistenza di una qualsiasi di queste condizioni nella piscina non è dovuta all'uso o al funzionamento del pulitore. Il produttore declina qualsivoglia responsabilità per riparazioni o sostituzioni di queste strutture o componenti della piscina del cliente.

Il proprietario della piscina deve assumersi tutta la responsabilità delle condizioni e della manutenzione della superficie, dell'acqua e dello spazio attorno alla piscina.

Prima di installare il pulitore è opportuno registrarne il numero di serie. Sarà necessario fornire tale numero quando si contatterà il reparto di assistenza tecnica.

N. DI SERIE \_\_\_\_\_

## Preparazione piscina

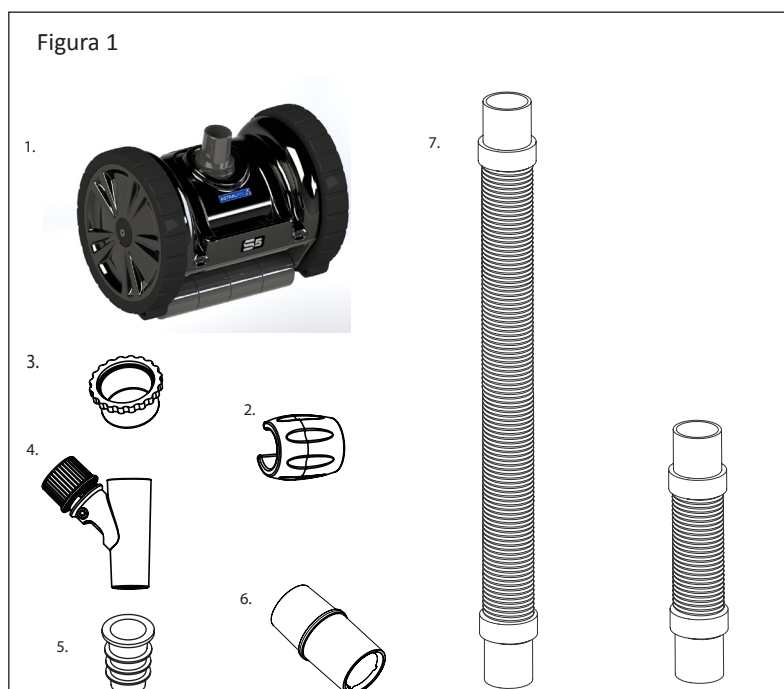
Prima di installare il pulitore per piscina lato aspirazione S5™, la piscina deve essere pulita e libera da alghe per non inibire la trazione del pulitore. Se necessario, realizzare i seguenti preparativi prima di procedere:

1. Creare l'equilibrio chimico dell'acqua della piscina.
2. Spazzolare la piscina e lasciar depositare i detriti.
3. Passare accuratamente l'aspiratore.
4. Pulire il filtro e il cestello della pompa.

## Componenti del pulitore

Rimuovere il pulitore e tutte le sue parti dal cestello. Accertarsi che tutti i componenti siano inclusi.

1. Corpo pulitore S5
2. Galleggiante flessibile
3. Tappo valvola
4. Valvola regolatore
5. Adattatore conico
6. Indicatore di flusso
7. Set di flessibili – 11 sezioni  
---10 flessibili standard  
maschio/femmina da 1m  
---1 flessibile leader



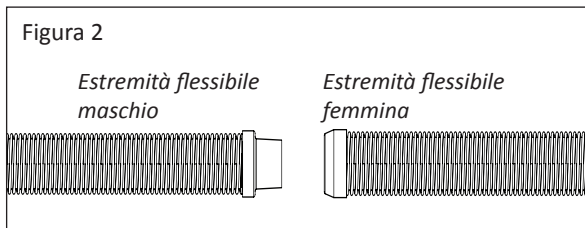
# ASSEMBLAGGIO DEL PULITORE

Il corpo del pulitore per piscina lato aspirazione S5™ viene spedito come pezzo unico, il che rende il montaggio di un pulitore un processo semplice e rapido.

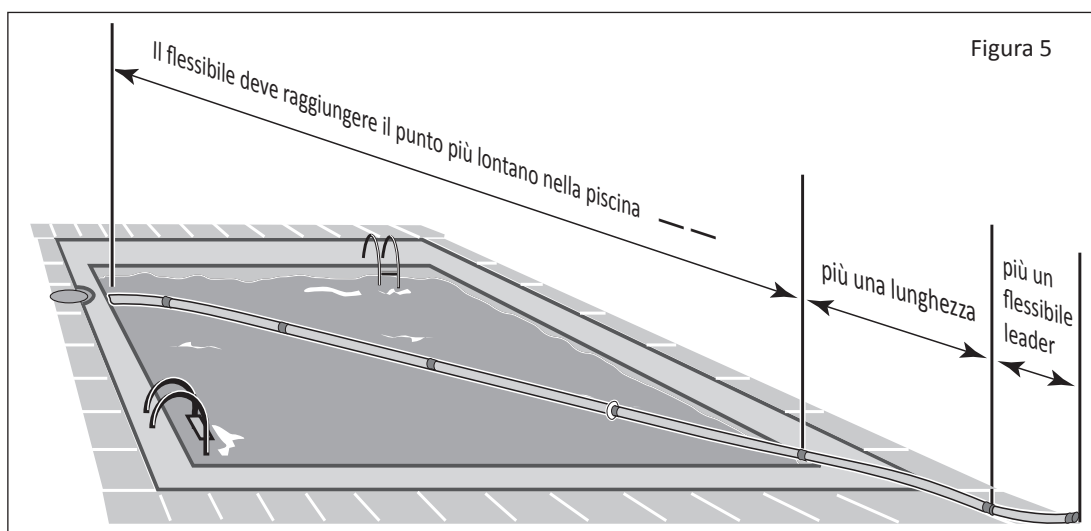
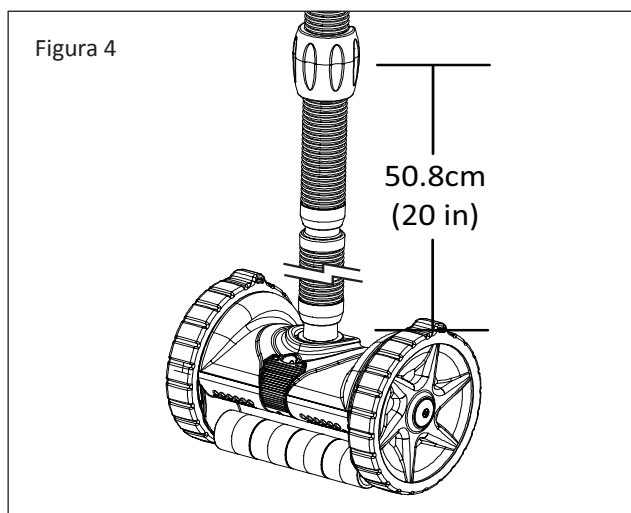
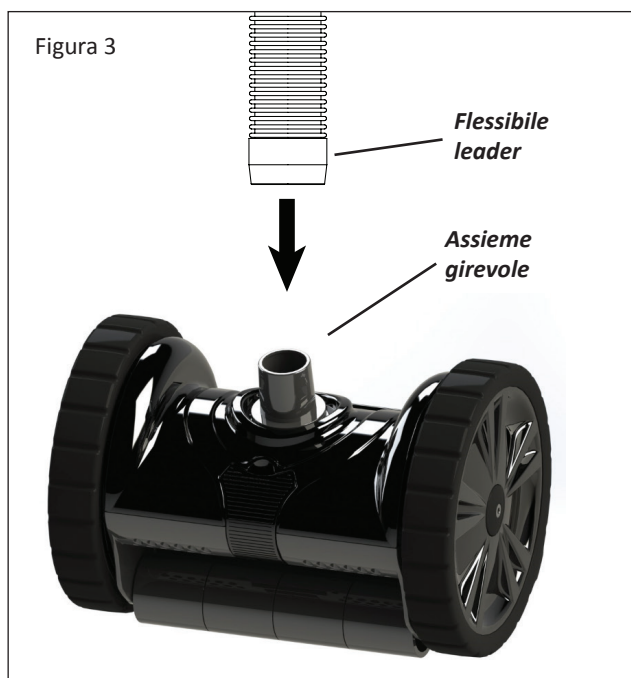
## Assieme dei tubi

Per i migliori risultati e per mantenere un funzionamento corretto, utilizzare solo i pezzi e i flessibili originali.

1. Per collegare le sezioni del flessibile, bagnare le estremità nell'acqua della piscina, poi attorcigliare e spingere le estremità femmina su quelle maschio.



2. Collegare il flessibile leader alla parte girevole del pulitore. Vedi **figura 3**.
3. Il flessibile deve arrivare dal collegamento del pulitore al punto più lontano della piscina, oltre una sezione e il flessibile leader.
4. Installare il galleggiante del flessibile sulla seconda lunghezza del flessibile. Il galleggiante va posizionato 50.8 cm (20 pollici) al di sopra del pulitore. Vedi **figura 4**.
5. Assicurarsi che tutti i collegamenti siano serrati.
6. La lunghezza generale del flessibile verrà determinata dalla distanza dal punto al quale si collega il flessibile alla porta di aspirazione rispetto al punto più lontano nella piscina oltre una lunghezza e il flessibile leader. Fare riferimento alla **figura 5**.



# INSTALLAZIONE DEL PULITORE

## Installazione standard

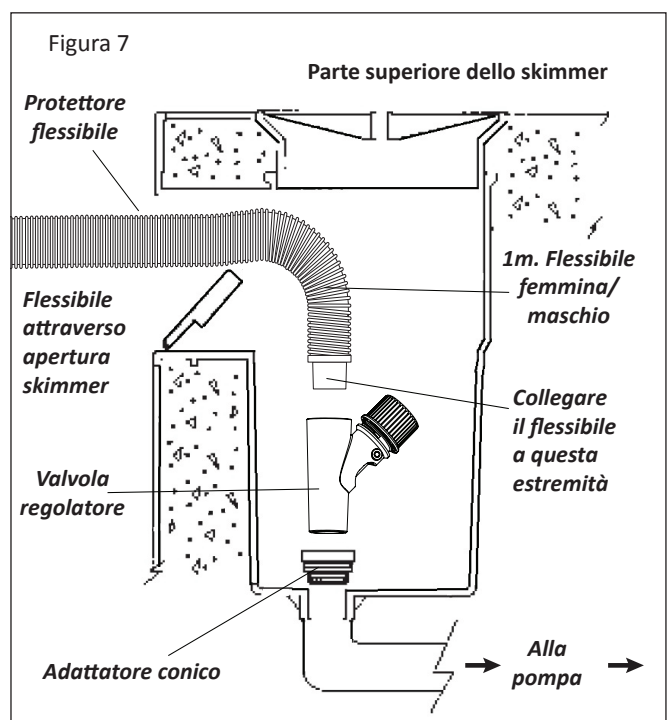
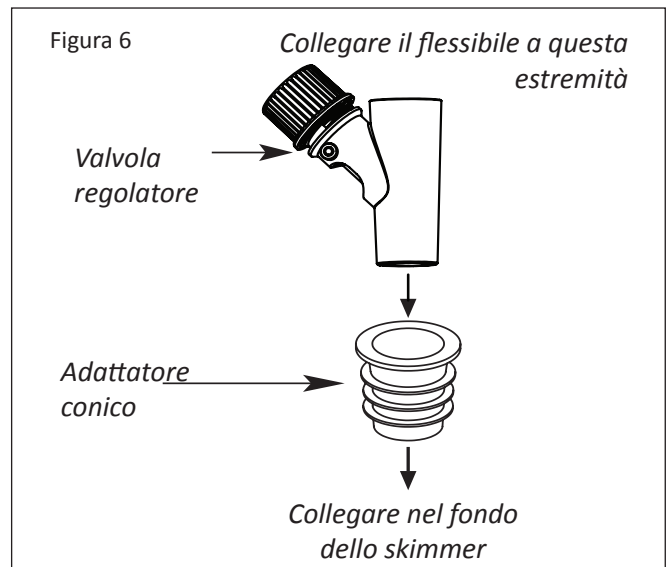
Il pulitore per piscina lato aspirazione S5™ è progettato per funzionare in una vasta gamma di piscine. L'installazione standard in-skimmer e quella optional con linea di vuoto sono entrambe trattate in questa sezione. Verificare qual è la più adatta alla configurazione della propria piscina e seguire le istruzioni.

**Nota:** A seconda delle particolari caratteristiche della vostra piscina, il tappo della valvola per la valvola del regolatore potrebbe non essere necessario.

1. Spegnerne la pompa della piscina.
2. Chiudere lo scarico principale e tutte le linee di aspirazione, tranne quella dallo skimmer alla quale verrà collegato il pulitore.
3. Rimuovere il cestello skimmer.
4. Inserire l'adattatore conico nel collegamento del vuoto sul fondo dello skimmer. Vedi **figura 7**.
5. Spingere la valvola del regolatore nell'adattatore conico. La manopola di regolazione della valvola deve essere rivolta verso l'alto.
6. Posizionare il pulitore nella piscina. Ruotare da lato a lato e dalla parte frontale a quella posteriore per rilasciare l'aria intrappolata, consentendo al pulitore di scendere sul fondo della piscina. Continuare ad alimentare il flessibile verticalmente nella piscina, fino a che non si riempie completamente di acqua e non scarica l'aria.

**Nota:** Se l'aria viene spinta nelle condutture idrauliche della piscina, la pompa potrebbe perdere l'adesamento.

7. Inserire l'estremità del flessibile attraverso l'apertura dello skimmer e collegare il flessibile direttamente alla valvola del regolatore. Vedi **figura 7**





## Installazione opzionale linea vuoto

### Installazione linea vuoto con valvola regolatore nello skimmer.

Raccomandiamo caldamente l'utilizzo della valvola regolatore per bilanciare il flusso d'acqua tra il pulitore per piscine lato aspirazione S5™ e lo skimmer. Installare la valvola regolatore nello skimmer mentre si collega il pulitore a una linea di vuoto dedicata.

1. Spegnerne la pompa della piscina.
2. Chiudere lo scarico principale e tutte le linee di aspirazione, tranne quella dallo skimmer e la linea di aspirazione alla quale verrà collegato il pulitore.
3. Infilare il raccordo per parete snap-lock nell'estremità della linea di aspirazione dedicata (optional, se non ancora installata)

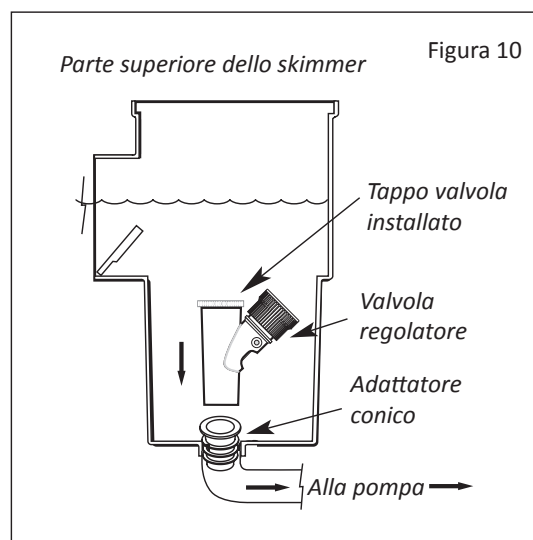
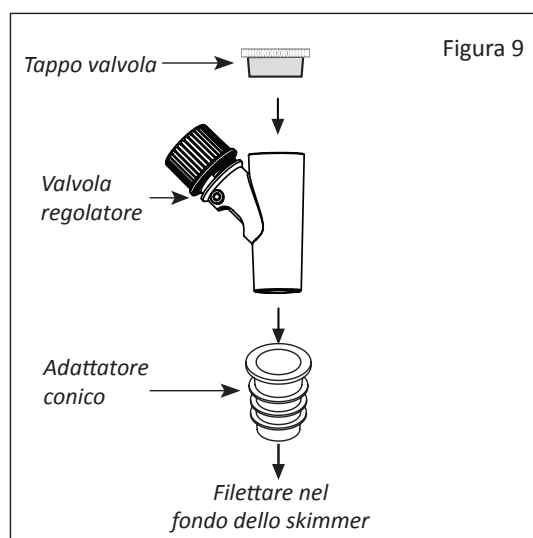
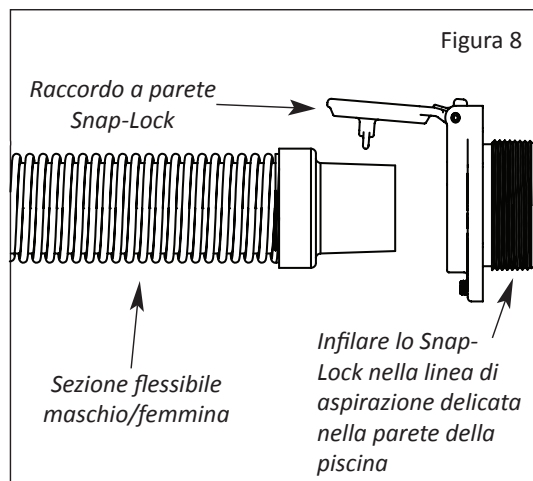
**Nota:** Utilizzare due involucri di nastro sigillante per filetti attorno agli stessi, per assicurare una facile rimozione.

4. Posizionare il pulitore (con il flessibile collegato) nella piscina. Ruotare da lato a lato e dalla parte frontale a quella posteriore per rilasciare l'aria intrappolata, consentendo al pulitore di scendere sul fondo della piscina. Continuare ad alimentare il flessibile verticalmente nella piscina, fino a che non si riempie completamente di acqua e non scarica l'aria.

**Nota:** Se l'aria viene spinta nelle condutture idrauliche della piscina, la pompa potrebbe perdere l'adescamento.

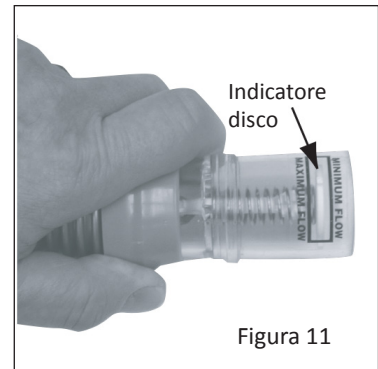
5. Inserire l'estremità del flessibile maschio dell'ultima sezione del flessibile direttamente nel raccordo per parete snap-lock. Vedi **figura 8**.
6. Inserire l'adattatore conico nel collegamento del vuoto sul fondo dello skimmer.
7. Per evitare che l'acqua fuoriesca dalla parte superiore della valvola regolatore, serrare il tappo della valvola sopra la valvola (vedi **figura 9**). Ciò attiva la valvola del regolatore e assicura che una quantità adeguata di acqua ( $6\text{m}^3/\text{h}$ ) fluisca attraverso la linea del vuoto e il pulitore. Senza il tappo della valvola, la valvola del regolatore e il pulitore non funzioneranno adeguatamente. Vedi **figura 10**.
8. Spingere la valvola del regolatore nell'adattatore di compressione.

Dopo aver completato l'installazione, accendere la pompa della piscina. Consentire alla pompa di funzionare per un paio di minuti, per accertarsi che tutta l'aria fuoriesca dal sistema.



## Regolare la portata al pulitore con il misuratore di flusso

1. Spegnerne la pompa della piscina.
2. Disconnettere il pulitore lato aspirazione S5™ dal flessibile leader e collegarlo al misuratore di flusso.  
**Nota:** Assicurarsi che il flessibile rimanga immerso per prevenire l'aspirazione di aria.
3. Accendere la pompa della piscina.
4. Ruotare la manopola di regolazione della valvola regolatore in senso orario per aumentare il flusso o in senso anti-orario per ridurre il flusso, fino a che l'indicatore del disco nel misuratore di flusso non si ferma tra "Max." e "Min." flusso. Vedi **figura 11**.
5. Spegnerne la pompa e rimuovere il misuratore del flusso, poi riconnettere il pulitore.
6. Abbassare il pulitore nella piscina e lasciarlo depositare sul fondo della piscina.
7. Accendere la pompa della piscina.



## Calcolare la velocità del pulitore (RPM) senza il misuratore del flusso

Se il misuratore del flusso non è incluso nel pulitore, seguire i passaggi indicati sotto per calcolare la velocità del pulitore e regolare i RPM secondo necessità.

1. Mentre il pulitore è in funzione, portarlo immediatamente sotto la superficie dell'acqua.  
**Nota:** Assicurarsi di tenere il pulitore sommerso mentre la pompa è in funzione. Ciò impedisce al pulitore di immettere aria nell'impianto piscina.
2. Contare il numero di rotazioni complete effettuate dalla ruota nel corso di un minuto. Il numero di rotazioni corrisponderà ai giri al minuto, o RPM. Un modo semplice per accertarsi di contare le rotazioni complete è il conteggio del numero di volte in cui la curva della ruota passa per l'assieme rotante.
3. Per una performance adeguata, il pulitore S5 funziona tra 11-13 RPM.  
Se le RPM scendono al di sotto di 11, regolare la valvola regolatore (ruotare la manopola di regolazione in senso orario) e ripetere i passaggi 1-2 fino a che le RPM non tornano nella gamma ottimale.  
Se le RPM salgono al di sopra di 13, regolare la valvola regolatore (ruotare la manopola di regolazione in senso antiorario) e ripetere i passaggi 1-2 fino a che le RPM non tornano nella gamma ottimale.

## REGOLAZIONI E FUNZIONAMENTO DEL PULITORE

Dopo aver completato l'installazione, accendere la pompa della piscina. Il pulitore per piscine lato aspirazione S5™ deve muoversi nella piscina a una velocità di 2.5 - 3.6 metri al minuto. Controllare ciascuna delle seguenti impostazioni iniziali.

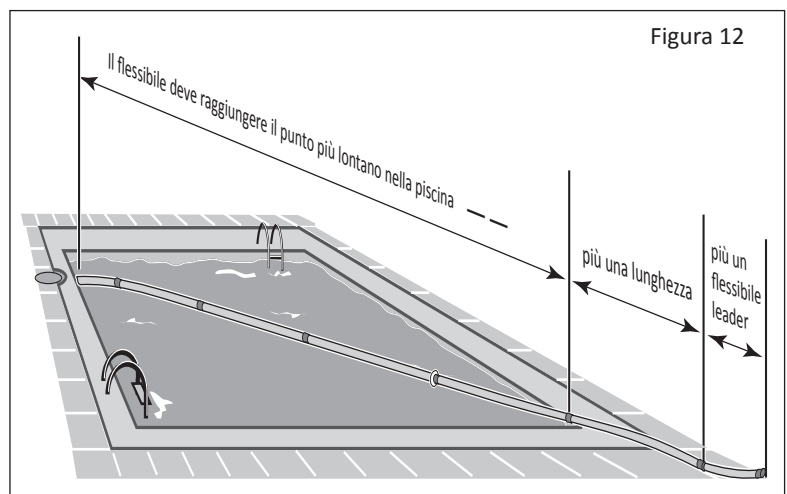
### Lunghezza del flessibile

**Nota:** Durante la verifica della lunghezza del tubo flessibile, la pompa deve essere accesa. Durante il funzionamento della pompa, il tubo flessibile si contrae ed è più lungo a pompa spenta.

Mentre la pompa è in funzione:

1. posizionare il pulitore nel punto più lontano della piscina dalla sede di collegamento. Utilizzare un bastone per piscina e una spazzola per posizionare con facilità il pulitore nella piscina.
2. Il flessibile deve essere sufficientemente lungo da raggiungere la fine della piscina, più un segmento di tubo, più il tubo flessibile leader. Vedi **figura 12**.
3. Rimuovere lunghezze in eccesso del flessibile dal centro dell'assieme flessibile. Ciò vi assicurerà di non alterare la posizione del galleggiante del flessibile.
4. Conservare segmenti di tubo flessibile in eccesso per utilizzarle all'occorrenza come ricambi.

**Nota:** Spegnerne la pompa della piscina quando si aggiungono o rimuovono sezioni del flessibile.



## Flusso acqua linea di ritorno

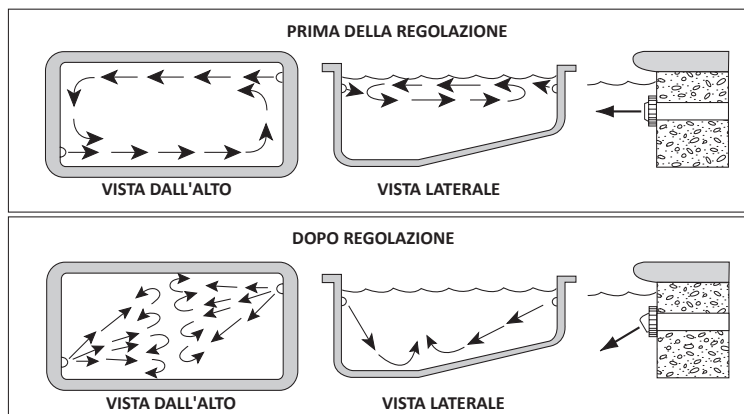
**IMPORTANTE:** Il flusso d'acqua dalla linea di ritorno può spingere il flessibile del pulitore piscine lato aspirazione S5™ e influir sulla sua performance. Potrebbe allontanare il pulitore dall'estremità della piscina, dove è situata la linea di ritorno, o potrebbe bloccare il pulitore in una sezione della piscina. Per risolvere questo problema, utilizzare un deviatore semisferico.

### Posizioni deviatore semisferico

Posizionare l'apertura del deviatore per direzionare il flusso d'acqua della linea di ritorno di modo che non interferisca con il movimento del pulitore. Provare posizioni diverse, per trovare la più adatta alla propria piscina:

- flusso rivolto lungo il lato della piscina (linea delle piastrelle).
- flusso diretto verso il basso.
- il flusso diretto verso il flessibile aiuterà ad allontanare il pulitore da ostacoli come gradini e scale.

Dopo l'installazione del deviatore semisferico, accendere la pompa. Il pulitore dovrebbe iniziare a muoversi sul fondo della piscina, aspirando i detriti presenti lungo il percorso.



## MANUTENZIONE

Il pulitore per piscine lato aspirazione S5™ non richiede praticamente alcuna manutenzione. Ispezionare visivamente il pulitore di tanto in tanto per assicurarsi che:

- La turbina si muova liberamente e non sia ostacolata da detriti. Vedi "Rimuovi detriti dalla turbina" sotto.
- Gli pneumatici non siano eccessivamente usurati. Vedi **figura 18** alla pagina successiva.

Raccomandiamo di lasciare il pulitore in piscina, specialmente durante trattamenti con shock chimico.

- Durante il nuoto, è facile staccare il pulitore e spingerlo su un lato.
- **Nota:** Quando si ripone il pulitore, non arrotolare il flessibile. Mettere il flessibile in piano nell'area protetta dalla luce solare diretta.

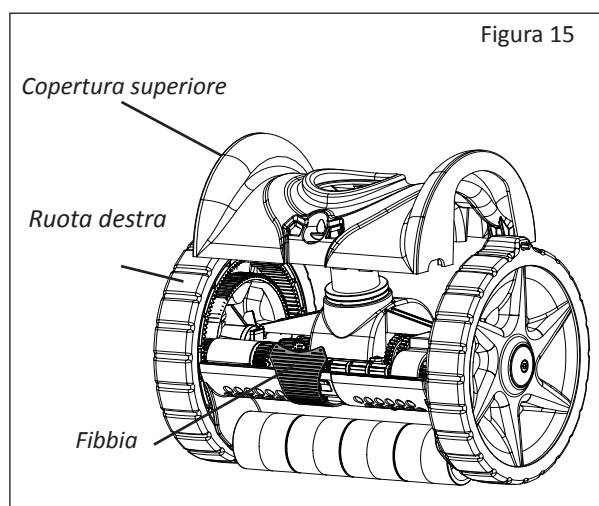
Questo flessibile del pulitore è progettato specificatamente per assicurare una performance ottimale del pulitore. In caso di necessità di ricambi, assicurarsi che venga applicato il flessibile originale per il pulitore Pentair.

### Rimozione detriti dalla turbina

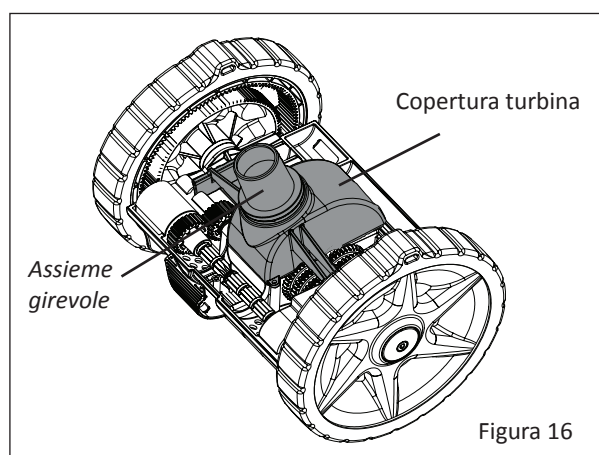
1. Assicurarsi che la pompa sia spenta. Rimuovere il pulitore dalla piscina e disconnetterlo dal flessibile leader.
2. Verificare se all'interno del pulitore vi sono ostruzioni, posizionando il pulitore con la fibbia rivolta verso di voi e provare a ruotare la ruota destra in avanti. Se la ruota gira senza ostacoli, probabilmente non vi sono ostruzioni. Se non gira, vi è un'ostruzione.
3. Posizionare il pulitore su una superficie piana. Aprire la fibbia sulla parte anteriore del pulitore estraendola e tirando verso il basso. Sollevare la parte anteriore della copertura superiore e poi tirarla in avanti in modo deciso. In questo modo, si separerà la copertura superiore dal corpo del pulitore e sarà possibile sollevare la copertura superiore verso l'alto dal corpo del pulitore (vedi **figura 15**). Rimuovere la copertura.

**Nota:** La copertura superiore è progettata per essere fissata saldamente, pertanto può essere necessario muoverla un po'.

4. Tirare la copertura della turbina verso l'alto e rimuoverla dal corpo del pulitore. Rimuovere la copertura della turbina. Vedi **figura 16**.

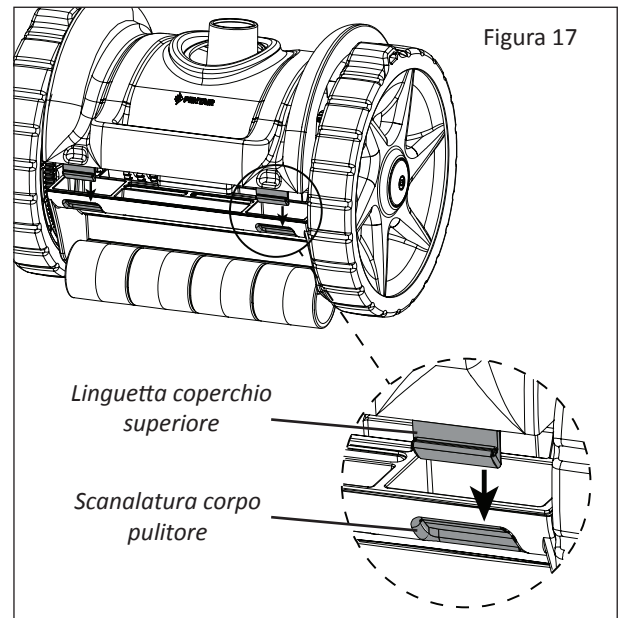


Rimozione copertura superiore



Assieme rotante e parti interne pulitore

5. Rimuovere ostruzioni visibili dalla turbina e dalla copertura della stessa.
6. Sostituire la copertura della turbina con l'assieme rotante orientato verso la parte anteriore del pulitore. Vedi **figura 16**.
7. Realizzare un'ispezione visiva del resto del pulitore e rimuovere i detriti eventualmente presenti in ingranaggi, alberi motori e assieme rotante, etc.
8. Ripetere la **fase 2 (ruotando la ruota destra)** per assicurare che il pulitore funzioni senza problemi.
9. Posizionare la copertura superiore sull'assieme rotante.
10. Posizionare le linguette sul lato posteriore della copertura superiore nelle slot sul retro del corpo del pulitore (vedi **figura 17**). Una volta collocate le linguette nelle slot, la parte anteriore della copertura si posizionerà correttamente.
11. Bloccare la copertura superiore sul corpo del pulitore con la fibbia di chiusura sulla parte anteriore del pulitore.



Le linguette della copertura e le corrispondenti scanalature del corpo

## Sostituzione pneumatici

Dopo un utilizzo prolungato potrebbe essere necessario sostituire le ruote in gomma dei pulitori per piscine lato aspirazione S5™. Quando la superficie degli pneumatici si è usurata nelle scanalature dello pneumatico, è necessaria una sostituzione. Vedere figura 18.

### Per rimuovere lo pneumatico del pulitore:

1. Spegnerne la pompa e rimuovere il pulitore dalla piscina.
2. Disconnettere il pulitore dal flessibile leader.
3. Posizionare il pulitore su una superficie di lavoro piana e togliere lo pneumatico dalla ruota dall'alto verso il basso.

**Nota:** Rimuovere lo pneumatico a mano. Utilizzando altri oggetti (cacciaviti, chiave di Allen, etc.) per rimuovere lo pneumatico si potrebbe danneggiare la ruota.

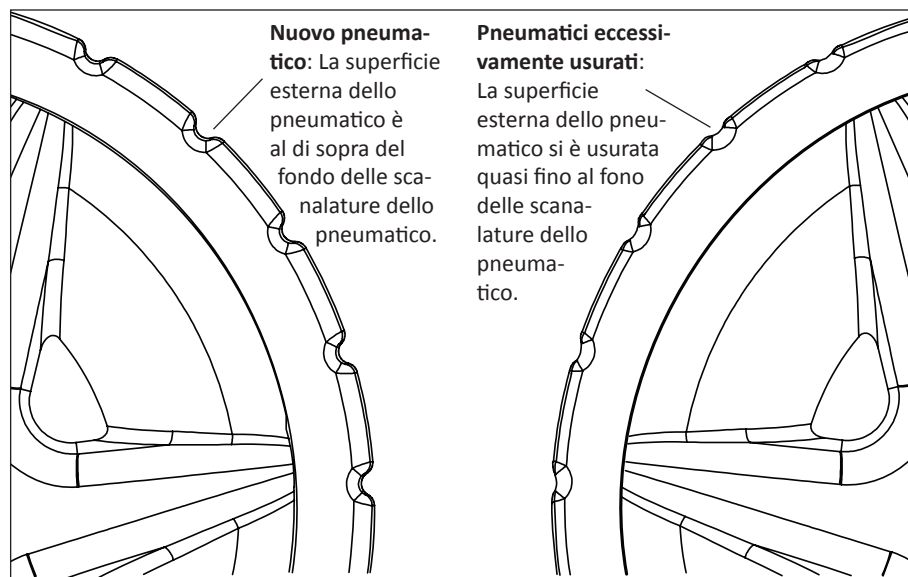


Figura 18: Confronto usura pneumatici

### Per installare lo pneumatico sostitutivo:

1. Posizionare il pulitore su una superficie di lavoro piana e collocare la parte superiore dello pneumatico in gomma sulla parte superiore della ruota. Assicurarsi che il lembo posteriore dello pneumatico sia piatto sul bordo interno della ruota.  
**Nota:** Sostituire lo pneumatico a mano. Utilizzando altri oggetti (cacciaviti, chiavi di Allen, etc.) per rimuovere lo pneumatico si potrebbe danneggiare la ruota.
2. Tendere il fondo dello pneumatico sul fondo della ruota. Assicurarsi che il lembo posteriore dello pneumatico sia piatto sul bordo interno della ruota.
3. Piegare il bordo posteriore dello pneumatico sul retro della ruota del pulitore, lungo l'intera ruota del pulitore. Lo pneumatico deve essere piatto sulla superficie superiore della ruota.

## RICERCA GUASTI

A causa delle caratteristiche individuali della vostra piscina, possono essere necessari ulteriori adattamenti per ottenere le migliori performance del vostro pulitore per piscine lato aspiratore S5™. Utilizzare le seguenti informazioni per risolvere possibili problemi.

| PROBLEMA   | AZIONE CORRETTIVA  |
|--|--|
| Pulitore non si muove o si muove troppo lentamente.                | <p>Controllare il flusso con il misuratore di flusso incluso o calcolando le RPM del pulitore e regolando il flusso se necessario utilizzando la valvola regolatore.</p> <p>Controllare se sono presenti detriti all'interno del pulitore.</p> <p>Assicurarsi che la pompa si sia adescata. Verificare se vi sono perdite nel sistema che possano impedire un adescamento adeguato.</p> <p>Potrebbe non esserci un flusso sufficiente all'interno del sistema. Il filtro potrebbe richiedere un controlavaggio.</p> <p>Assicurarsi che il collettore principale e tutti gli altri condotti di aspirazione siano chiusi ad eccezione del condotto di aspirazione al quale è collegato il pulitore.</p> <p>Verificare se il sistema presenta ostruzioni (es. detriti nel filtro, nel cestello della pompa o nella girante della pompa).</p> <p>La pompa della piscina e il sistema filtrante potrebbero essere troppo piccoli per fornire il flusso d'acqua adeguato. Consultare il proprio professionista di riferimento.</p> |
| La ruota destra del pulitore non gira quando è ruotata a mano.     | Controllare se sono presenti detriti all'interno del pulitore.   |
| Il pulitore è in una delle estremità della piscina.                | <p>Controllare il flusso con il misuratore di flusso incluso o calcolando le RPM del pulitore e regolando il flusso se necessario utilizzando la valvola regolatore.</p> <p>Controllare il flusso d'acqua della linea di ritorno e direzionandolo secondo necessità con il deviatore semisferico incluso.</p> <p>Controllare che il flessibile sia sufficientemente lungo da raggiungere il punto più lontano nella piscina.</p> <p>Controllare che il galleggiante del flessibile sia posizionato in modo corretto. Il galleggiante può essere in una posizione sbagliata.</p> <p>Assicurarsi che l'assieme rotante (nella parte superiore del pulitore) ruoti senza problemi. Diversamente, l'assieme rotante potrebbe essere sporco e richiedere pulizia.</p>   |
| Il pulitore si arrampica troppo sulle pareti o esce dalla piscina. | Controllare il flusso con il misuratore di flusso incluso o calcolando le RPM del pulitore e regolando il flusso, se necessario, utilizzando la valvola regolatore.  |
| Il pulitore non si arrampica sulle pareti della piscina.           | <p>Assicurarsi che gli pneumatici del pulitore non siano troppo usurati. Pneumatici eccessivamente usurati non offriranno la presa necessaria perché il vostro pulitore si arrampichi sulle pareti della piscina.</p> <p>Controllare il flusso con il misuratore di flusso incluso o calcolando le RPM del pulitore e regolando il flusso, se necessario, utilizzando la valvola regolatore.</p> <p>Assicurarsi che il flessibile leader sia stato installato e si trovi nel punto corretto.</p> <p>Controllare che il galleggiante del flessibile sia posizionato in modo corretto. Il galleggiante può essere in una posizione sbagliata.</p>  |
| Il pulitore è sullo scarico principale.                            | <p>Assicurarsi che lo scarico principale sia chiuso. Potrebbe essere necessario l'intervento di un professionista.</p> <p>Assicurarsi che sia stata installata una griglia di scarico principale.</p>  |
| Il pulitore cade di lato e ha bisogno di tempo per riprendersi.    | <p>Controllare che il galleggiante del flessibile sia posizionato in modo corretto. Il galleggiante può essere in una posizione sbagliata.</p> <p>Assicurarsi che il flessibile leader sia stato installato e si trovi nel punto corretto.</p> <p>Controllare che il flessibile sia sufficientemente lungo da raggiungere il punto più lontano nella piscina.</p> <p>I raccordi del deviatore semisferico potrebbero allontanare il pulitore.</p>  |

**GARANZIA LIMITATA: 2 ANNI**  
**PER ULTERIORI DETTAGLI: [www.astralpool.com](http://www.astralpool.com)**





**SAVE THESE INSTRUCTIONS !**



**FLUIDRA S.A.- Avda. Francesc Macià 60, Planta 20, 08208 SABADELL - BARCELONA - ESPAÑA**

**Phone : +34 93 724 39 00 - Fax +34 93 724 29 92**

**[www.astralpool.com](http://www.astralpool.com)**

**[info@astralpool.com](mailto:info@astralpool.com)**

Copyright – Limited License: except as specifically permitted herein, no portion of the content on this document may be reproduced in any form or by any mean without the prior written permission of FLUIDRA S.A.

Copyright – Eingeschränkte Lizenz: soweit hierin nicht ausdrücklich zugelassen, dürfen die Inhalte dieses Dokuments ohne vorausgehende schriftliche Genehmigung der FLUIDRA S.A. weder ganz noch auszugsweise und in gleich welcher Form und mit welchen Mitteln vervielfältigt werden.

Copyright – Beperkte licentie: behalve zoals hierin specifiek toegestaan, mag geen enkel deel van de inhoud van dit document op om het even welke manier of hoe dan ook gereproduceerd worden zonder de voorafgaande schriftelijke toestemming van FLUIDRA S.A.

Copyright – Licence limitée: sauf expressément autorisé ci-après, aucune partie du contenu de ce document ne peut être reproduite sous toute forme ou par tout moyen sans la permission écrite préalable de FLUIDRA S.A..

Copyright – Licencia limitada: salvo en lo expresamente permitido en el presente documento, se prohíbe la reproducción total o parcial del mismo por cualquier medio sin la previa autorización por escrito de FLUIDRA S.A.

Copyright – Licenza limitata: se non indicato specificatamente di seguito, nessuna porzione del contenuto di questo documento può essere riprodotta in qualsiasi forma o con qualsiasi mezzo senza preventiva autorizzazione scritta di FLUIDRA S.A.